



Manhole Products

**72" Type 2 Precast Manhole
WSDOT B-15.40.01**

Grade Adjustment Rings Available

- 2", 3", 4", 6"

Hole or Knock Out Dimensions

- Maximum hole size is 60 inches
- 12 inches of minimum distance between holes
- 2 inch diameter lifting holes provided
- Cored, cast-in and custom block-out/knock-outs available

Conformity Standards

- ASTM C478 manhole
- ASTM C443 rubber gasket joint
- ASTM D4101 polypropylene steps and ladders
- Washington State APWA / WSDOT Standard

Options Available

- Pre-channeled base
- Specialized coatings
- Predl systems monolithic GU lined base
- Kor-N-Seal boots
- 1' thru 10' Polypropylene ladders

Section Specifications

Height	Section	Base
12"	1,731 LBS	4,737 LBS
24"	3,499 LBS	6,505 LBS
36"	5,266 LBS	8,272 LBS
48"	7,034 LBS	10,040 LBS
60"	8,802 LBS	11,808 LBS
72"	10,569 LBS	13,575 LBS

Cone 48"

- 18" 1,690 LBS
- 2' 1,930 LBS
- 3' 2,560 LBS

Cone 54"

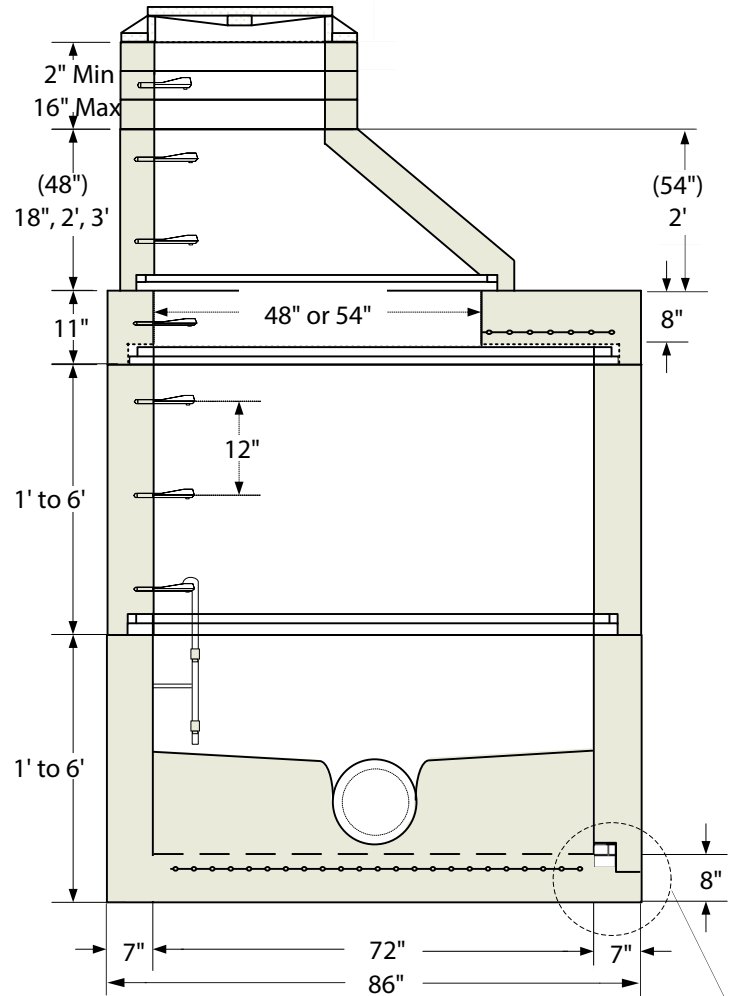
-
- 3,982 LBS
-

Flat Top Reducer

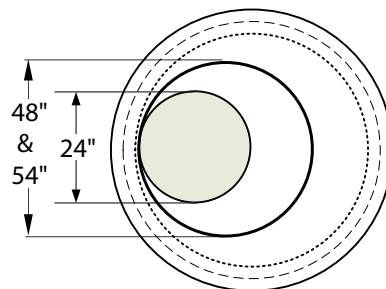
- 48" 3,896 LBS
- 54" 3,250 LBS

Base Slab

- 3,757 LBS

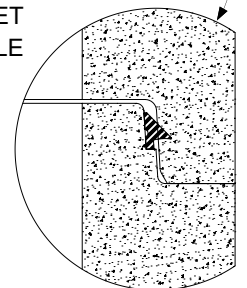


Top Cone Plan View



Gasket Shown Uncompressed

1PC
GASKET
PROFILE



Note: drawings not to scale



Shope Concrete, LLC
1618 East Main Avenue
Puyallup, WA 98372-3142

(253) 848-1551
Fax Line 1 (253) 845-0292
Fax Line 2 (253) 864-6172

1-800-422-7560 [TOLL FREE]

www.shopeconcrete.com