



# Manhole Products

## 72" Type 206a Maintenance Hole City of Seattle Standard Plan

### Grade Adjustment Rings Available

- 2", 3", 4", 6"

### Hole or Knock Out Dimensions

- Maximum hole size is 60 inches
- 12 inches of minimum distance between holes
- 2 inch diameter lifting holes provided

### Conformity Standards

- ASTM C478 Manhole
- ASTM C443 rubber gasket joint
- ASTM D4101 & 232A/B polypropylene steps and ladders
- Cored, cast-in and custom block-out/knock-outs available

### Options Available

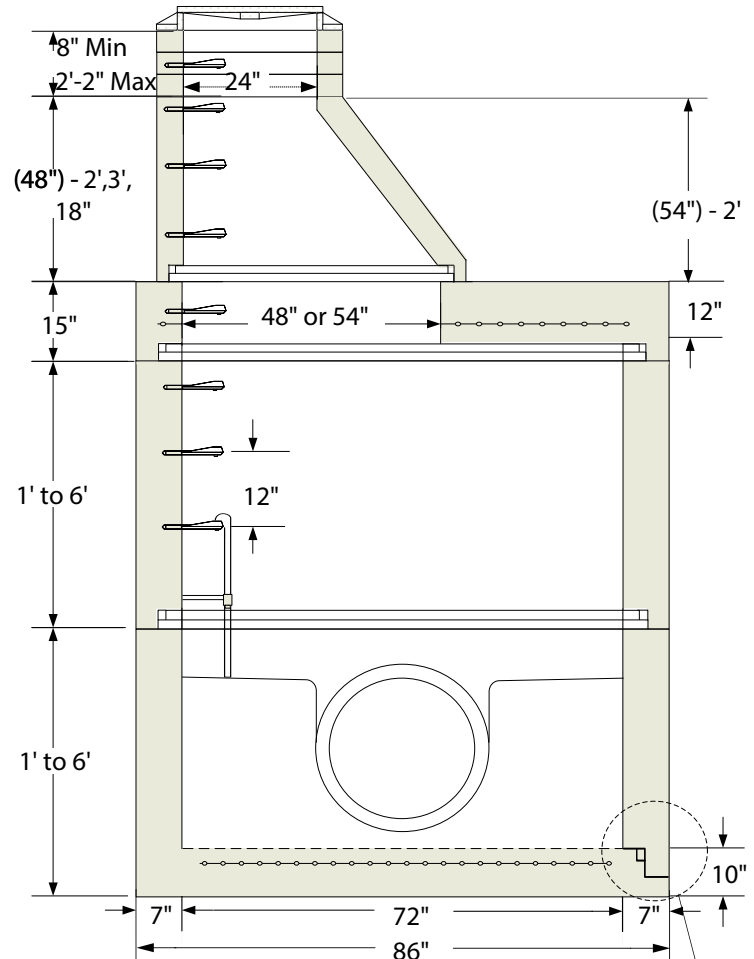
- Pre-channeled base
- Specialized coatings
- Custom hatches
- Kor-N-Seal boots
- Cored holes
- 1' thru 10' Polypropylene ladders

### Section Specifications

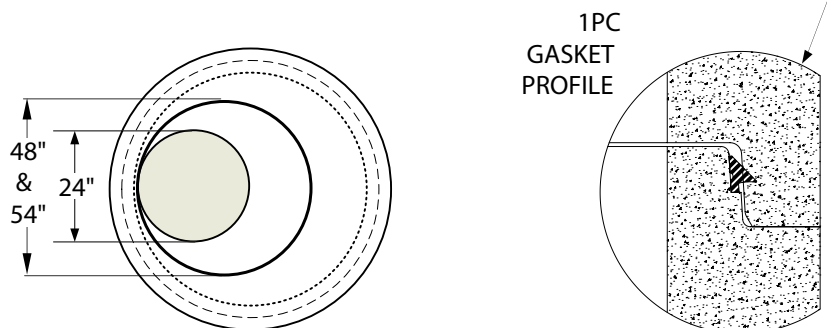
Height	Section	Base
12"	1,731 LBS	4,737 LBS
24"	3,499 LBS	6,505 LBS
36"	5,266 LBS	8,272 LBS
48"	7,034 LBS	10,040 LBS
60"	8,802 LBS	11,808 LBS
72"	10,569 LBS	13,575 LBS

Cone 48"	Cone 54"
18" - 1,619 LBS	-
2' - 1,930 LBS	2,184 LBS
3' - 2,560 LBS	-

Flat Top Reducer	Base Slab
48" - 3,370 LBS	3,757 LBS
54" - 3,250 LBS	



Top Cone Plan View Gasket Shown Uncompressed



Note: Drawings are not to scale.



Shope Concrete, LLC  
1618 East Main Avenue  
Puyallup, WA 98372-3142

(253) 848-1551  
Fax Line 1 (253) 845-0292  
Fax Line 2 (253) 864-6172

1-800-422-7560 [TOLL FREE]  
[www.shopeconcrete.com](http://www.shopeconcrete.com)