



Manhole Products

72" Type 206b Maintenance Hole
City of Seattle Standard Plan

Grade Adjustment Rings Available

- 2", 3", 4", 6"

Hole or Knock Out Dimensions

- Maximum hole size is 60 inches
- 12 inches of minimum distance between holes
- 2 inch diameter lifting holes provided
- Cored, cast-in and custom block-out/knock-outs available

Conformity Standards

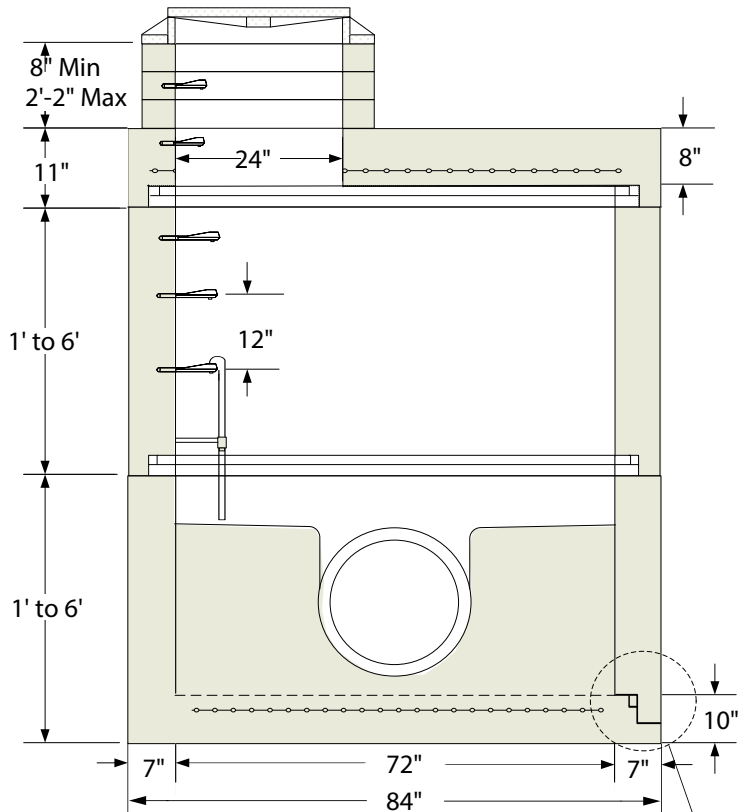
- ASTM C478 Manhole
- ASTM C443 rubber gasket joint
- ASTM D4101 & 232A/B polypropylene steps and ladders

Options Available

- Pre-channeled base
- Offset flat-top square access opening
- Specialized coatings
- Custom hatches
- Kor-N-Seal boots
- Cored holes
- 1' thru 10' Polypropylene ladders

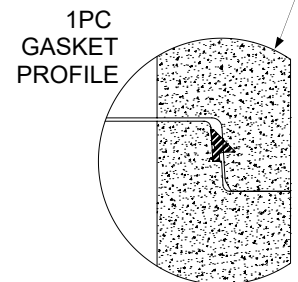
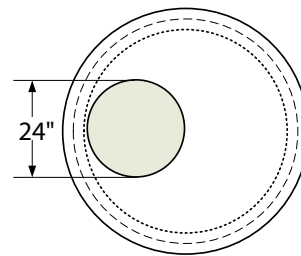
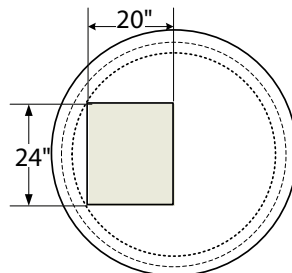
Section Specifications

Height	Section	Base	Base Slab
12"	1,731 LBS	4,737 LBS	3,757 LBS
24"	3,499 LBS	6,505 LBS	
36"	5,266 LBS	8,272 LBS	
48"	7,034 LBS	10,040 LBS	
60"	8,802 LBS	11,808 LBS	
72"	10,569 LBS	13,575 LBS	



Top Slab Plan View

Gasket Shown Uncompressed



Note: Drawings are not to scale.



Shope Concrete, LLC
1618 East Main Avenue
Puyallup, WA 98372-3142

(253) 848-1551
Fax Line 1 (253) 845-0292
Fax Line 2 (253) 864-6172

1-800-422-7560 [TOLL FREE]

www.shopeconcrete.com