



Manhole Products

96" Type 208a Maintenance Hole City of Seattle Standard Plan

Grade Adjustment Rings Available

- 2", 3", 4", 6"

Hole or Knock Out Dimensions

- Maximum hole size is 84 inches
- 12 inches of minimum distance between holes
- 3 inch diameter lifting holes provided
- Cored, cast-in and custom block-out/knock-outs available

Conformity Standards

- ASTM C478 Manhole
- ASTM C443 rubber gasket joint
- ASTM D4101 & 232A/B polypropylene steps and ladders

Options Available

- Specialized coatings
- Kor-N-Seal boots
- Cored holes
- 1' thru 10' Polypropylene ladders

Section Specifications

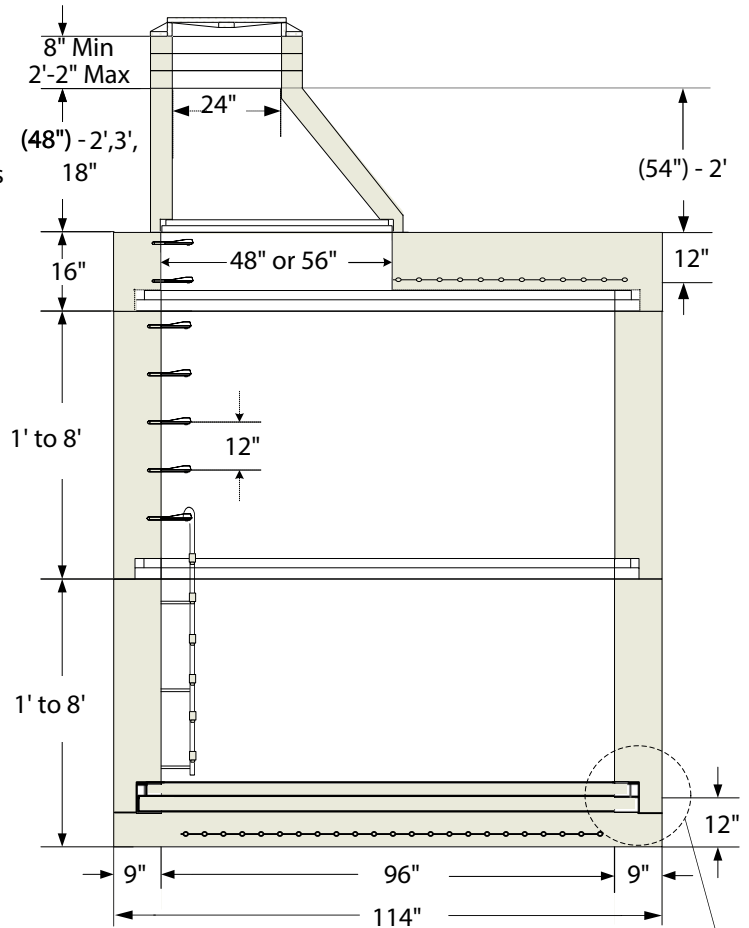
Height	Section	Base Slab
12"	2,954 LBS	9,955 LBS
24"	5,973 LBS	
36"	8,992 LBS	
48"	12,010 LBS	Flat Top
60"	15,029 LBS	10,675 LBS
72"	18,048 LBS	
84"	21,067 LBS	
96"	24,077 LBS	

Cone 48"

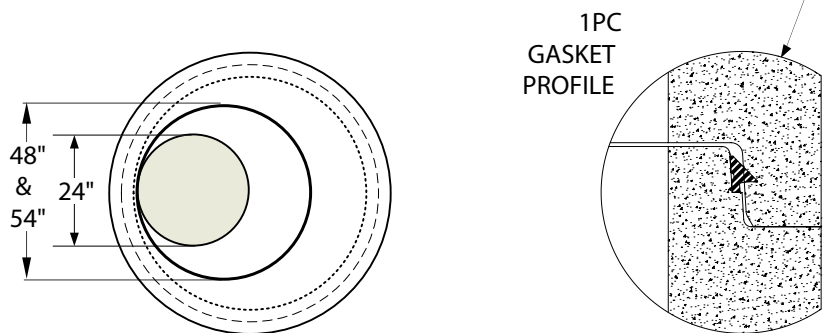
- 18" - 1,619 LBS
- 2' - 1,930 LBS
- 3' - 2,560 LBS

Cone 54"

-
- 2,184 LBS
-



Top Cone Plan View Gasket Shown Uncompressed



Note: Drawings are not to scale.



Shope Concrete, LLC
1618 East Main Avenue
Puyallup, WA 98372-3142

(253) 848-1551
Fax Line 1 (253) 845-0292
Fax Line 2 (253) 864-6172

1-800-422-7560 [TOLL FREE]
www.shopeconcrete.com