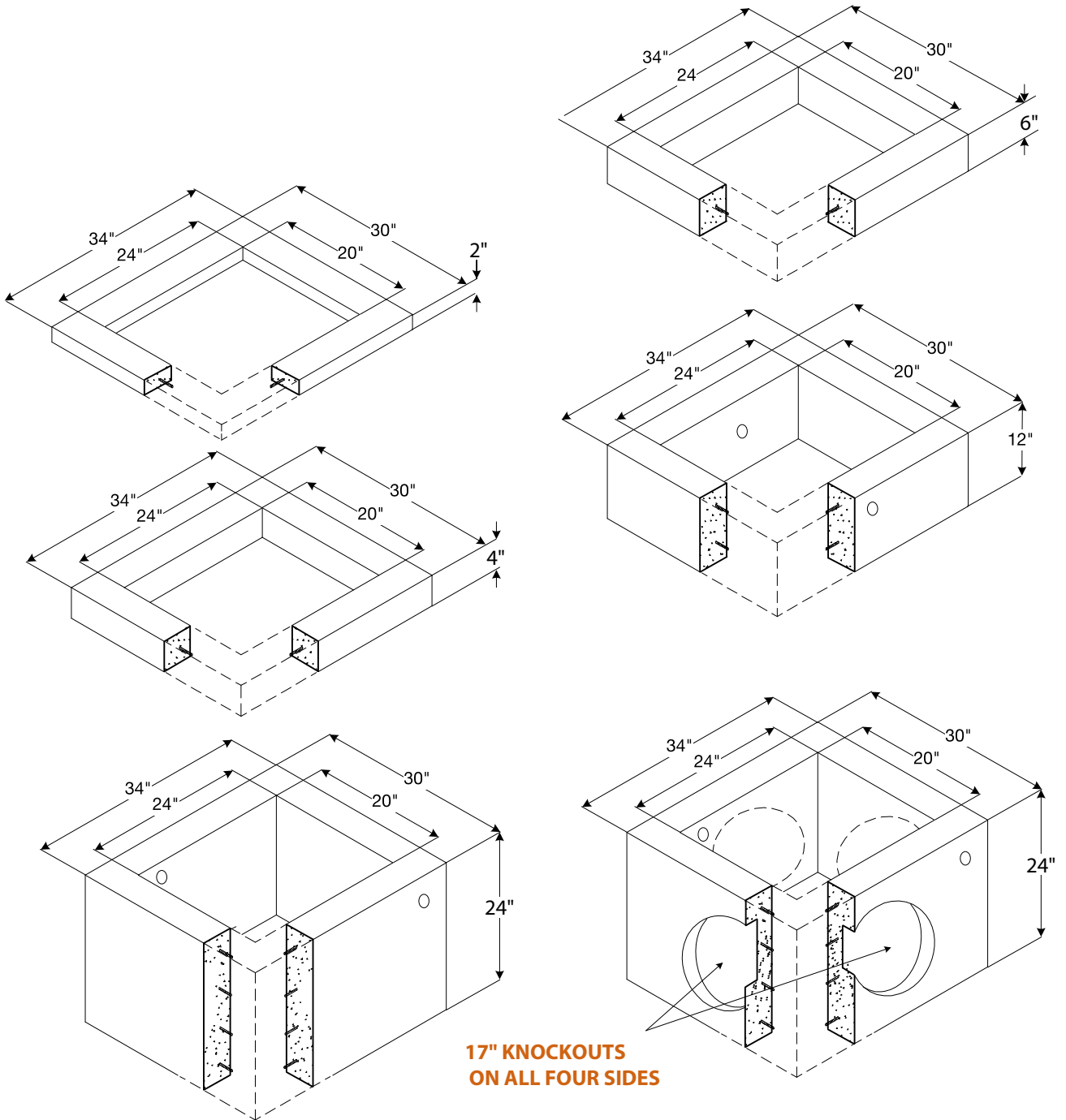




Catch Basins

WSDOT Catch Basin Risers Type 1



Note: drawings not to scale



Shope Concrete, LLC
 1618 East Main Avenue
 Puyallup, WA 98372-3142

(253) 848-1551
 Fax Line 1 (253) 845-0292
 Fax Line 2 (253) 864-6172

1-800-422-7560 [TOLL FREE]
www.shopeconcrete.com