

# Catch Basins

## Type 1

### Reinforcing

- ASTM / WSDOT requirements
- All components
- #3 grade 60 reinforcing

### Riser Weights

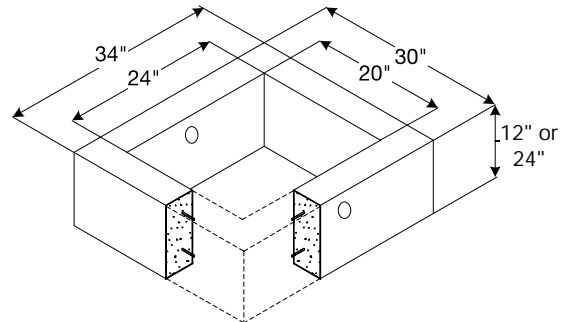
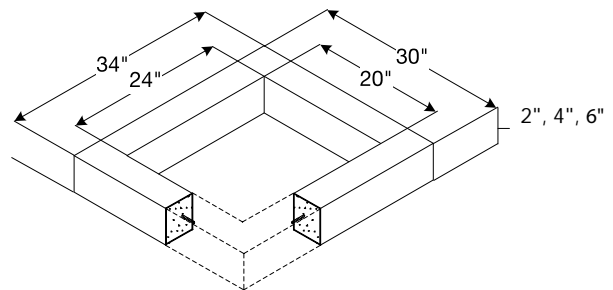
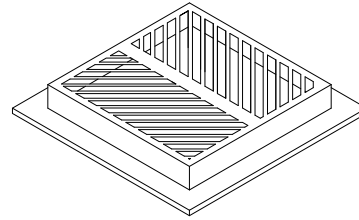
- 2-inch / 100 lbs
- 4-inch / 200 lbs
- 6-inch / 300 lbs
- 12-inch / 600 lbs
- 24-inch / 1200 lbs

### Precast Base

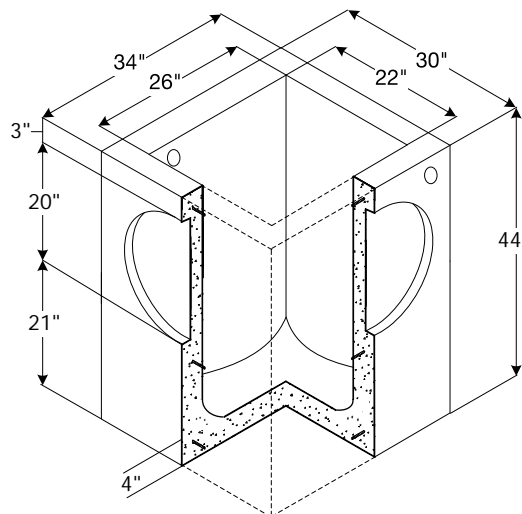
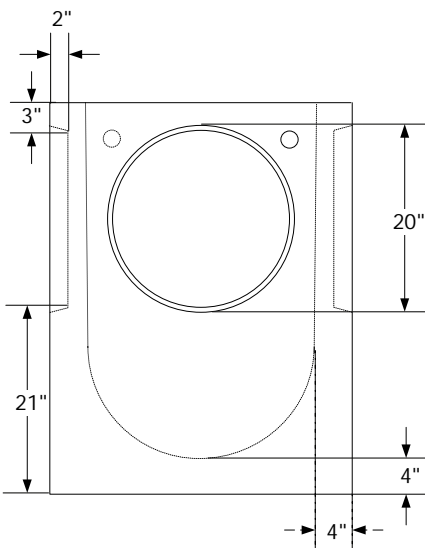
- Base unit has four-way knock outs provided for pipe entry
- 2150 lbs

### Conformity Standards

- Washington State APWA / WSDOT Standard Specifications
- WSDOT B-5.20.-01



### Type I Profile View



Note: drawings not to scale