



Catch Basin Products

Catch Basin Type 241a Seattle Standard Plan

Riser Sections

- Available in 2", 4", 6" & 12"

Reinforcing

- Reinforcing meets City of Seattle Standard Plan 241A
- All components
- #3 grade 60 reinforcing

6 Inch Riser

- 300 lbs

12 Inch Riser

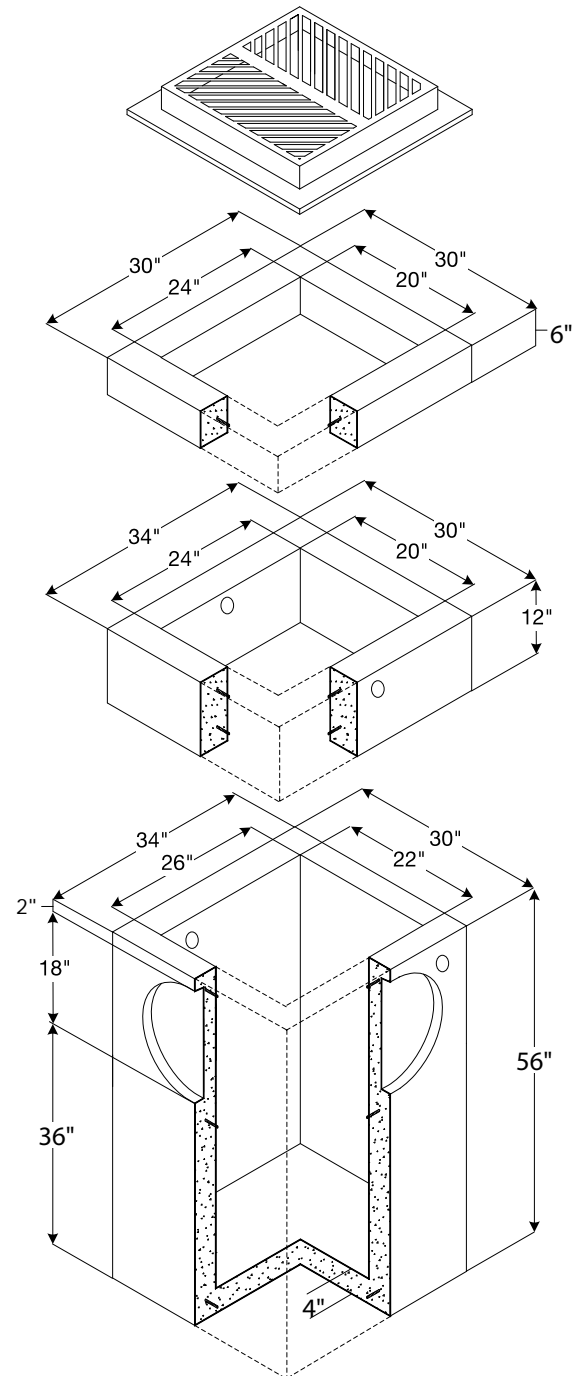
- 600 lbs

Precast Base

- Base unit has four-way knock outs provided for pipe entry
- 2500 lbs

Conformity Standards

- Washington State APWA / WSDOT Standard Specifications
- Seattle Engineering Department Specifications
- Vaned grate, and additional options available



Note: drawings not to scale



Shope Concrete, LLC
1618 East Main Avenue
Puyallup, WA 98372-3142

(253) 848-1551
Fax Line 1 (253) 845-0292
Fax Line 2 (253) 864-6172

1-800-422-7560 [TOLL FREE]

www.shopeconcrete.com