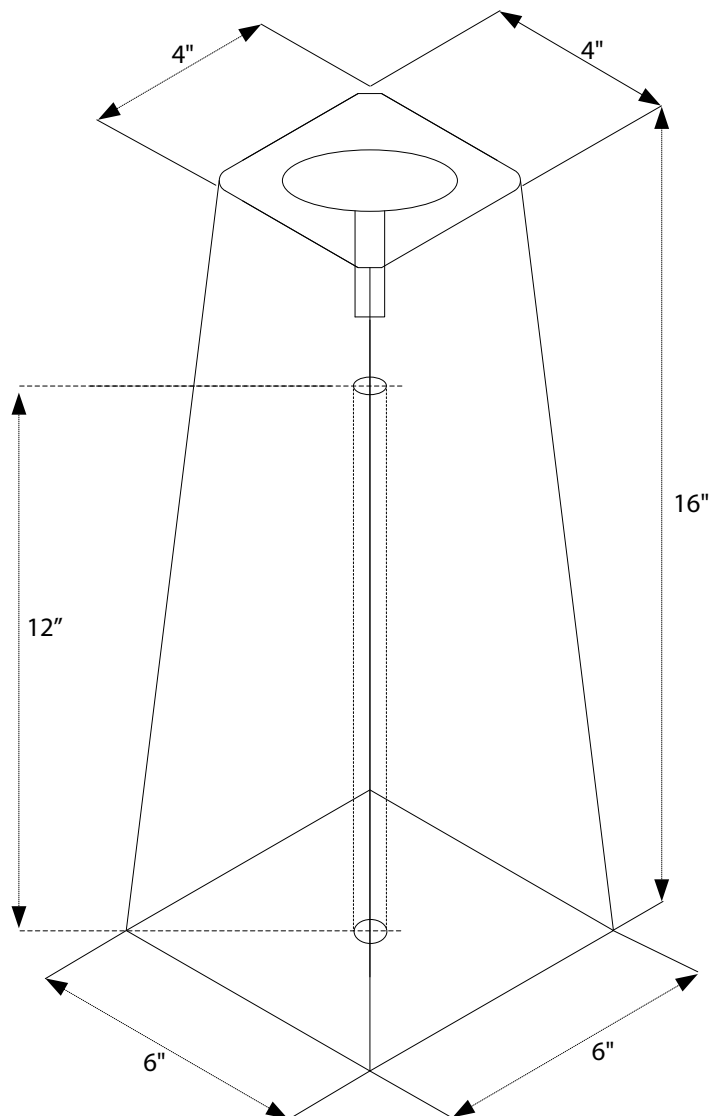


Concrete Products

Pyramid Monument

Item Details

- 3 inch and 2.75 inch brass disc may be installed for location marking
- #5 rebar within monument for magnetic location
- Magnetic material 12 inches long placed vertically beneath brass disc



Note: drawings not to scale