



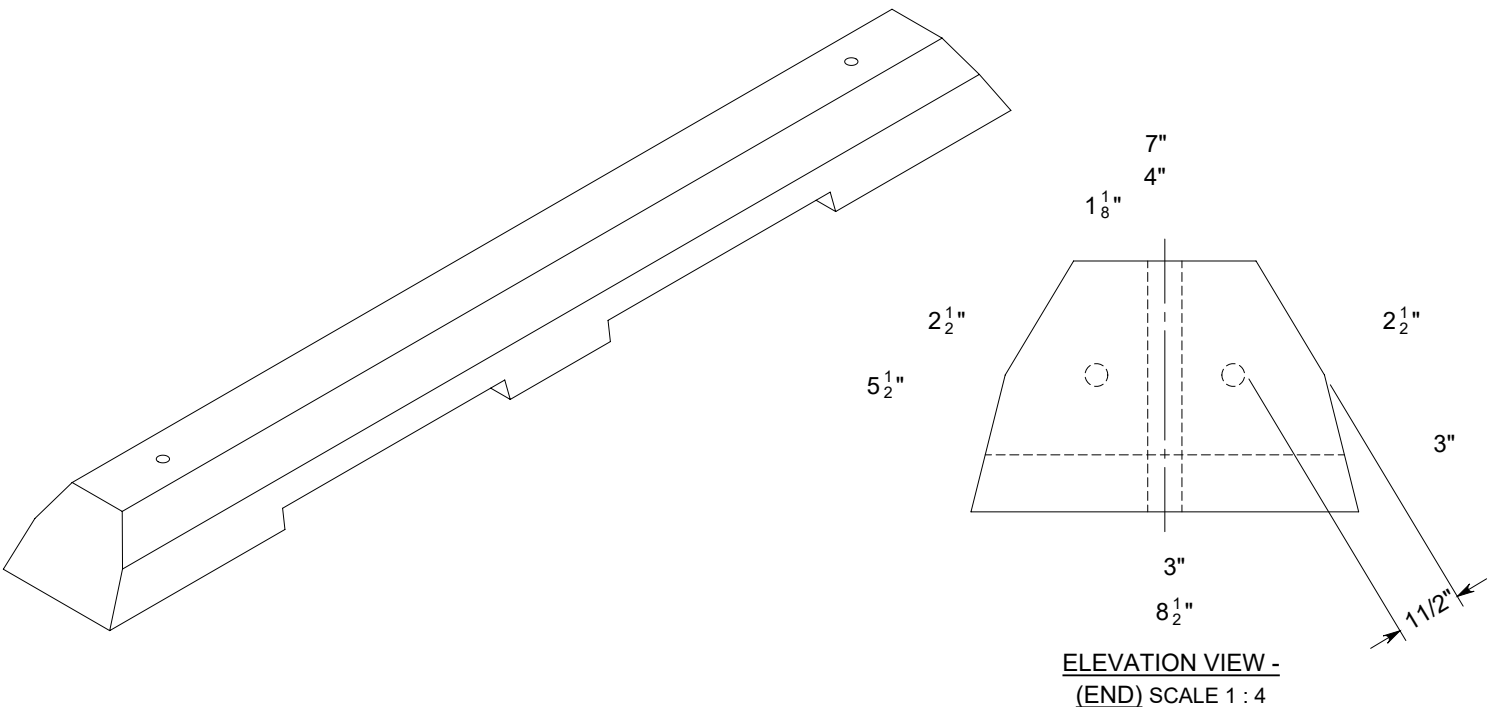
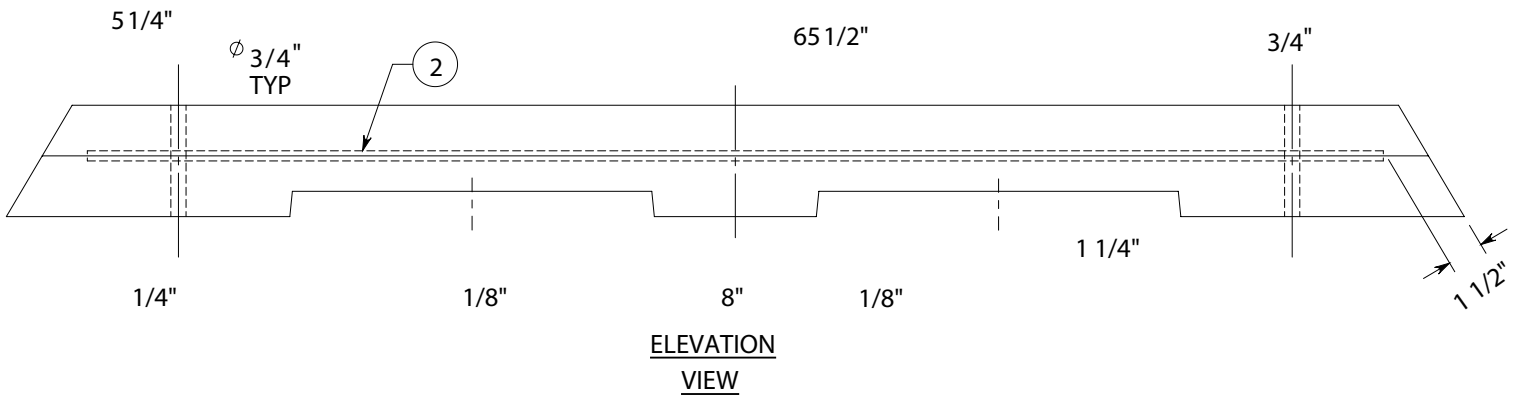
Concrete Products

Parking Lot Wheel Stops

Item Details

- 1 inch hole provided for 18" x 3/4" steel stake
- Two #4 deformed, grade 60 re-bar for reinforcing
- 6 foot length - 300 lbs

3 1/4"



Note: drawings not to scale



Shope Concrete, LLC
 1618 East Main Avenue
 Puyallup, WA 98372-3142

(253) 848-1551
 Fax Line 1 (253) 845-0292
 Fax Line 2 (253) 864-6172

1-800-422-7560 [TOLL FREE]
www.shopeconcrete.com