



Concrete Products

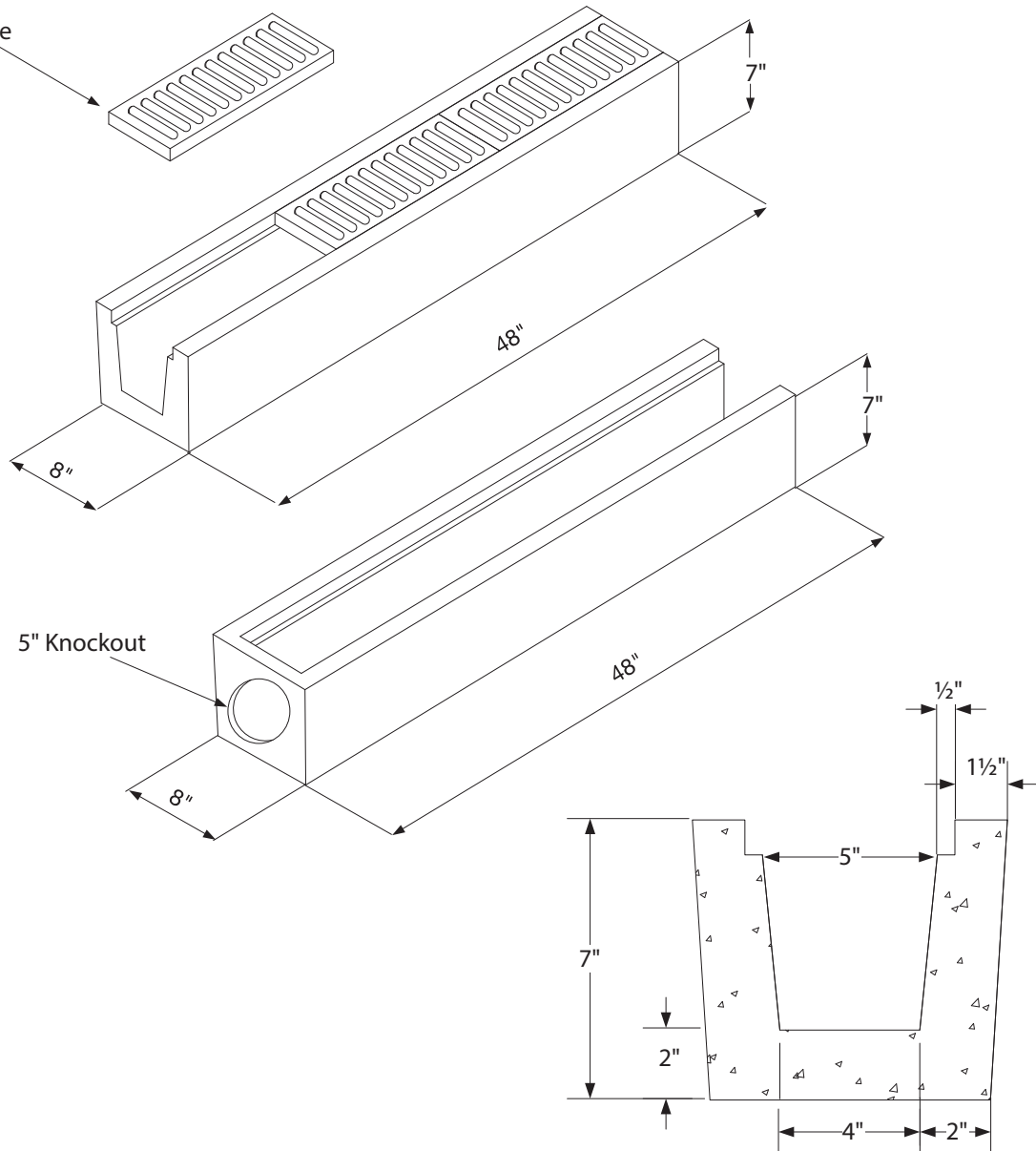
Trench Drain

Item Details

- 10 gauge 6" x 6" wire mesh reinforcing

6" x 16" x 1"

Cast Iron Grate



End View

Note: drawings not to scale



Shope Concrete, LLC
1618 East Main Avenue
Puyallup, WA 98372-3142

(253) 848-1551
Fax Line 1 (253) 845-0292
Fax Line 2 (253) 864-6172

1-800-422-7560 [TOLL FREE]
www.shopeconcrete.com