



Manhole Products

**54" Type 3 Precast Manhole
WSDOT B-15.60-02**

Grade Adjustment Rings Available

- 2", 3", 4", 6"

Hole or Knock Out Dimensions

- Maximum hole size is 42 inches
- 8 inches of minimum distance between holes
- 2 inch diameter lifting holes provided
- Cored, cast-in and custom block-out/knock-outs available

Conformity Standards

- ASTM C478 manhole
- ASTM C443 rubber gasket joint
- ASTM D4101 polypropylene steps and ladders
- Washington State APWA / WSDOT Standard

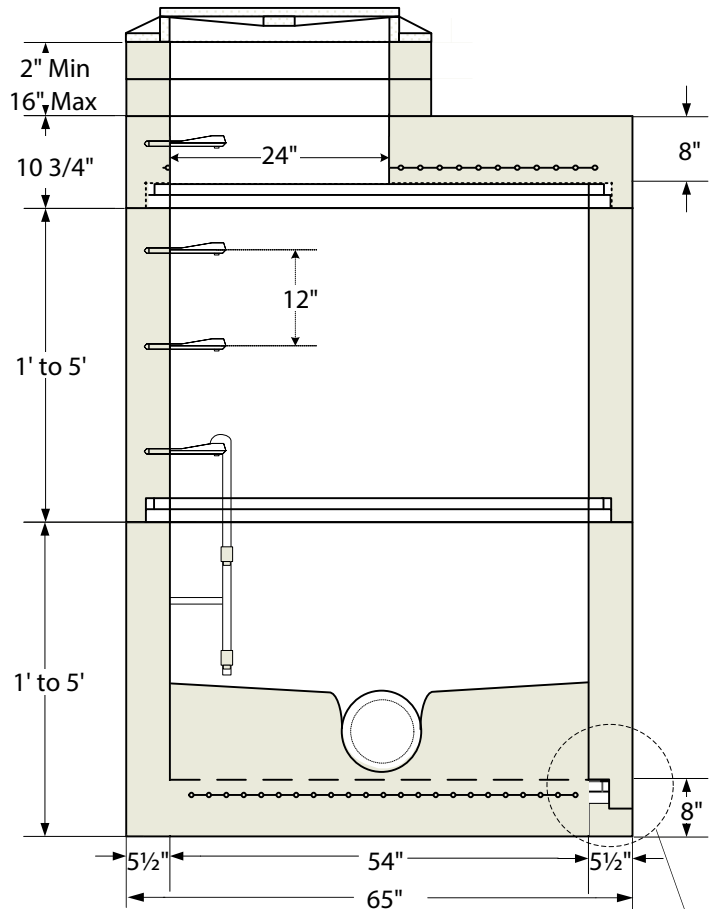
Options Available

- Pre-channeled base
- Specialized coatings
- Custom hatches
- Kor-N-Seal boots
- 1' thru 10' Polypropylene ladders

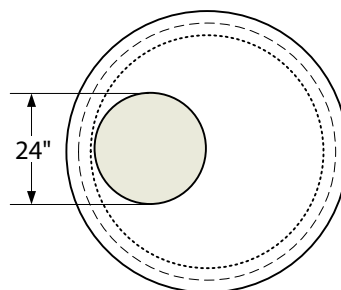
Section Specifications

| Height | Section | Base |
|--------|-----------|-----------|
| 6" | 502 LBS | 2,185 LBS |
| 12" | 1,056 LBS | 2,739 LBS |
| 24" | 2,138 LBS | 3,821 LBS |
| 36" | 3,221 LBS | 4,904 LBS |
| 48" | 4,305 LBS | 5,988 LBS |
| 60" | 5,388 LBS | 7,071 LBS |
| 72" | 6,254 LBS | 7,937 LBS |

| Base Slab | Flat Top |
|-----------|-----------|
| 1,698 LBS | 2,114 LBS |

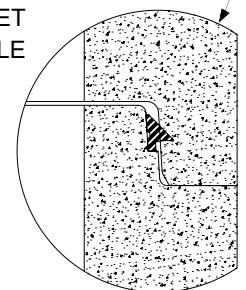


Top Slab Plan View



Gasket Shown Uncompressed

1PC GASKET PROFILE



Note: drawings not to scale



Shope Concrete, LLC
1618 East Main Avenue
Puyallup, WA 98372-3142

(253) 848-1551
Fax Line 1 (253) 845-0292
Fax Line 2 (253) 864-6172

1-800-422-7560 [TOLL FREE]
www.shopeconcrete.com