



Manhole Products

72" Type 3 Precast Manhole WSDOT
B-15.60-02

Grade Adjustment Rings Available

- 2", 3", 4", 6"

Hole or Knock Out Dimensions

- Maximum hole size is 60 inches
- 12 inches of minimum distance between holes
- 2 inch diameter lifting holes provided
- Cored, cast-in and custom block-out/knock-outs available

Conformity Standards

- ASTM C478 manhole
- ASTM C443 rubber gasket joint
- ASTM D4101 polypropylene steps and ladders
- Washington State APWA / WSDOT Standard

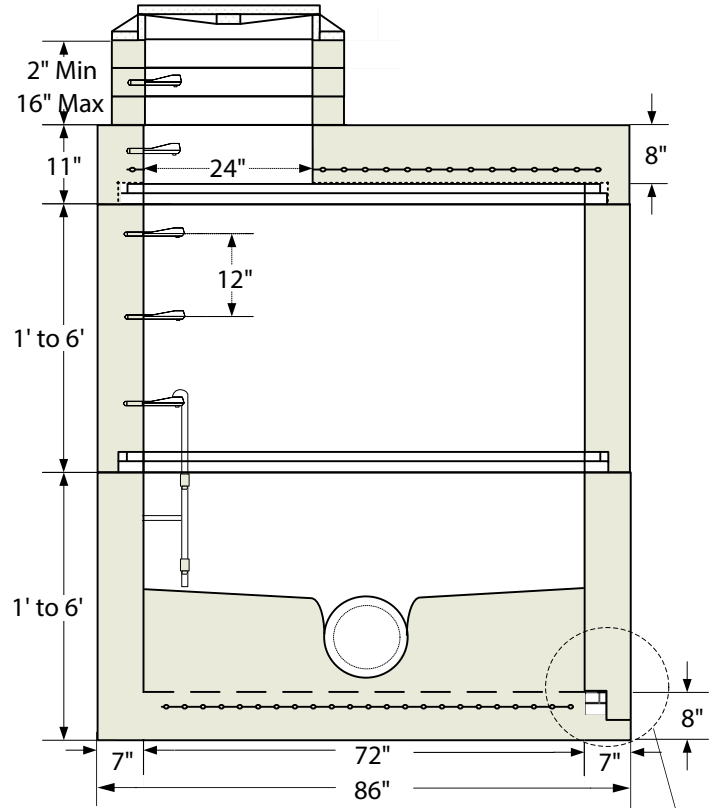
Options Available

- Pre-channeled base
- Specialized coatings
- Custom hatches
- Predl systems monolithic GU lined base
- Kor-N-Seal boots
- 1' thru 10' Polypropylene ladders
- Center hole flat tops

Section Specifications

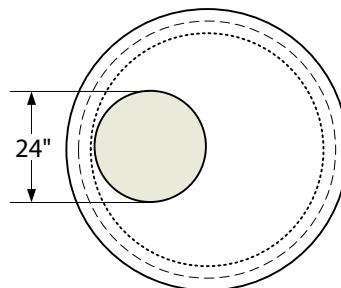
Height	Section	Base
12"	1,731 LBS	4,737 LBS
24"	3,499 LBS	6,505 LBS
36"	5,266 LBS	8,272 LBS
48"	7,034 LBS	10,040 LBS
60"	8,802 LBS	11,808 LBS
72"	10,569 LBS	13,575 LBS

Base Slab	Flat Top
3,757 LBS	3,982 LBS

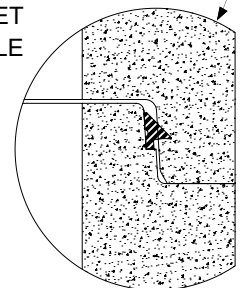


Top Slab Plan View

Gasket Shown Uncompressed



1PC GASKET PROFILE



Note: Drawings not to scale

www.shopeconcrete.com

1-800-422-7560 [TOLL FREE]



Shope Concrete, LLC
1618 East Main Avenue
Puyallup, WA 98372-3142

(253) 848-1551
Fax Line 1 (253) 845-0292
Fax Line 2 (253) 864-6172

