



# Manhole Products

## 96" Type 2 Precast Manhole WSDOT B-15.40-01

### Grade Adjustment Rings Available

- 2", 3", 4", 6"

### Hole or Knock Out Dimensions

- Maximum hole size is 84 inches
- 12 inches of minimum distance between holes
- 3 inch diameter lifting holes provided
- Cored, cast-in and custom block-out/knock-outs available

### Conformity Standards

- ASTM C478 manhole
- ASTM C443 rubber gasket joint
- ASTM D4101 polypropylene steps and ladders
- Washington State APWA / WSDOT Standard

### Options Available

- Specialized coatings
- Kor-N-Seal boots
- 1' thru 10' Polypropylene ladders

### Section Specifications

#### Height Section

12"	2,954 LBS
24"	5,973 LBS
36"	8,992 LBS
48"	12,010 LBS
60"	15,029 LBS
72"	18,048 LBS
84"	21,067 LBS
96"	24,077 LBS

#### Cone 48"

18"	1,690 LBS
2'	1,930 LBS
3'	2,560 LBS

#### Cone 54"

-	-
2'	3,982 LBS
3'	-

#### Flat Top Reducer

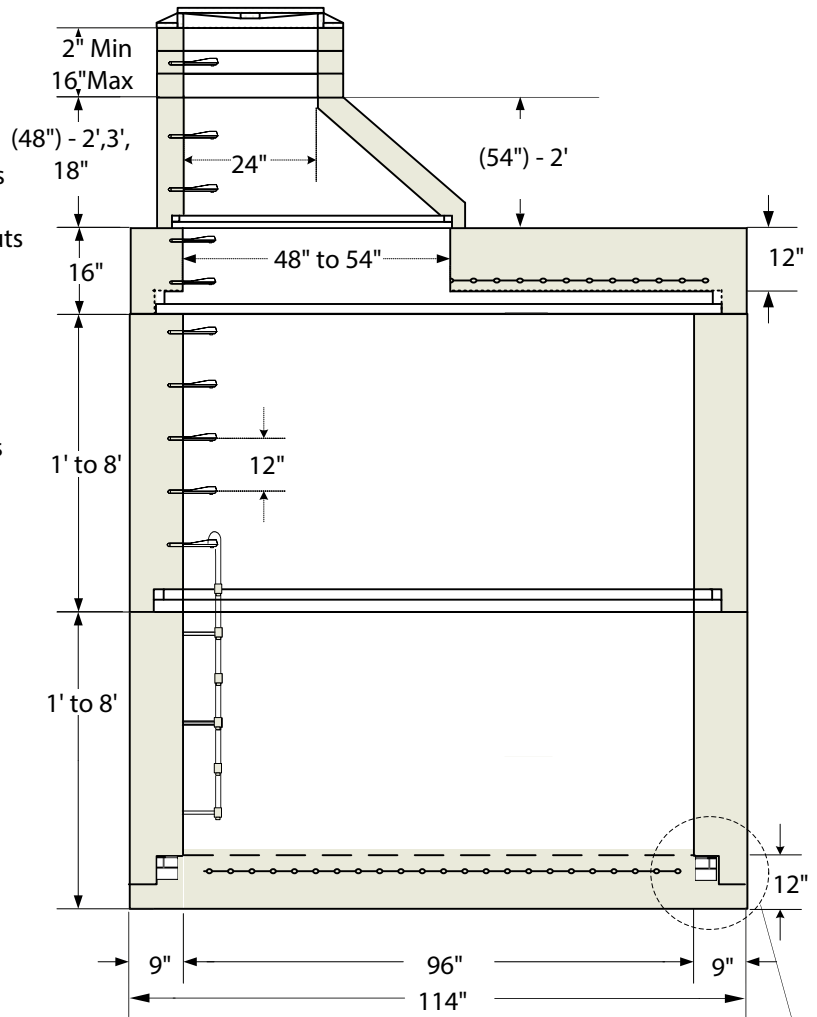
48"	3,896 LBS
54"	3,250 LBS

#### Base Slab

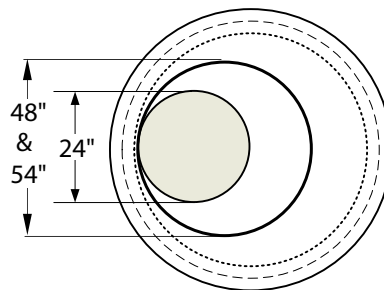
9,995 LBS

#### Flat Top

10,675 LBS

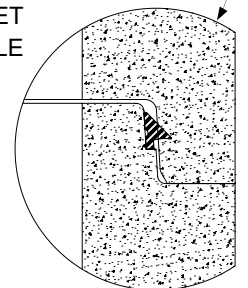


### Top Cone Plan View



### Gasket Shown Uncompressed

1PC  
GASKET  
PROFILE



Note: Drawings not to scale

www.shopeconcrete.com

1-800-422-7560 [TOLL FREE]



Shope Concrete, LLC  
1618 East Main Avenue  
Puyallup, WA 98372-3142

(253) 848-1551  
Fax Line 1 (253) 845-0292  
Fax Line 2 (253) 864-6172

