



Manhole Products

**60" Type 2 Precast Catch Basin
WSDOT B-10.20-01**

Grade Adjustment Rings Available

- 2", 3", 4", 6"

Hole or Knock Out Dimensions

- Maximum hole size is 48 inches
- 8 inches of minimum distance between holes
- 2 inch diameter lifting holes provided
- Cored, cast-in and custom block-out/knock-outs available

Conformity Standards

- ASTM C478 manhole
- ASTM C443 rubber gasket joint
- ASTM D4101 polypropylene steps and ladders
- Washington State APWA / WSDOT Standard

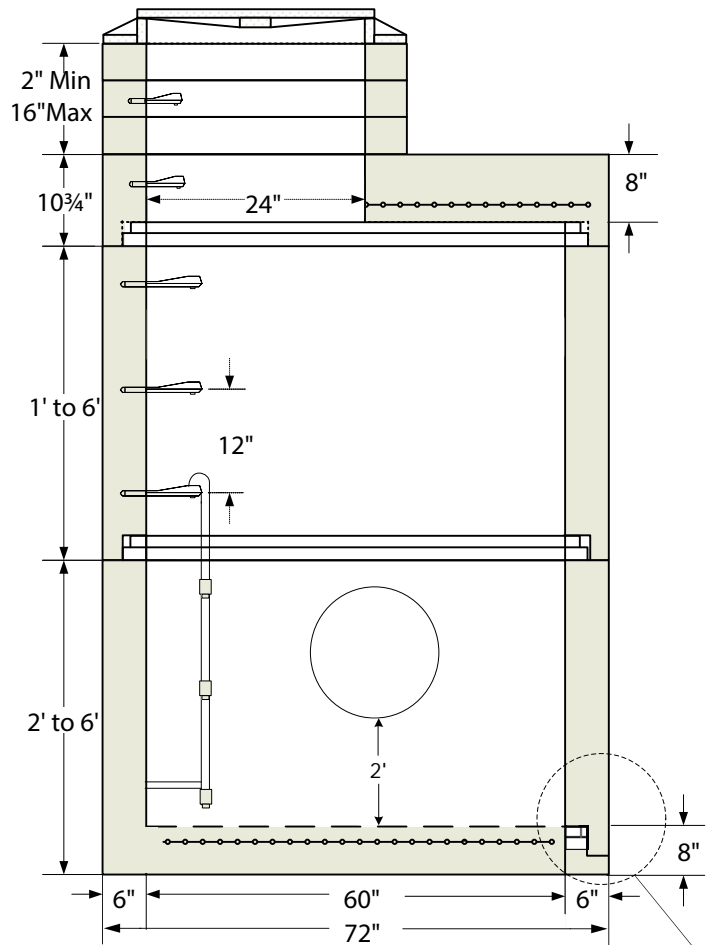
Options Available

- 2 foot minimum sump
- Specialized coatings
- Custom hatches
- Kor-N-Seal boots
- 1' thru 10' Polypropylene ladders
- Round offset & Center hole flat tops
- Mastic

Section Specifications

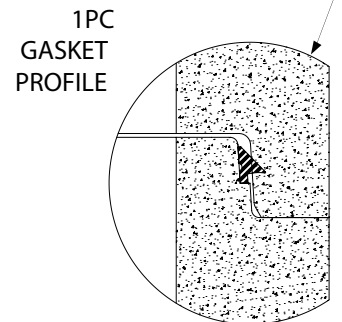
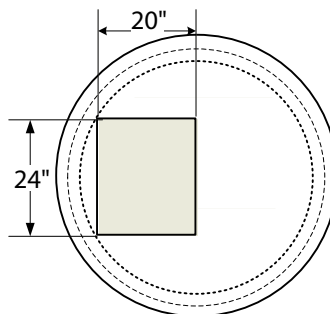
Height	Section	Base
12"	1,240 LBS	3,312 LBS
24"	2,507 LBS	4,579 LBS
36"	3,773 LBS	5,845 LBS
48"	5,040 LBS	7,112 LBS
60"	6,306 LBS	8,378 LBS
72"	7,573 LBS	9,645 LBS

Base Slab	Flat Top
2,622 LBS	2,663 LBS



Top Slab Plan View

Gasket Shown Uncompressed



Note: drawings not to scale



Shope Concrete, LLC
1618 East Main Avenue
Puyallup, WA 98372-3142

(253) 848-1551
Fax Line 1 (253) 845-0292
Fax Line 2 (253) 864-6172

1-800-422-7560 [TOLL FREE]

www.shopeconcrete.com