



# Manhole Products

**96" Type 2 Precast Catch Basin  
WSDOT B-10.20-01**

### Square Risers Available

- 2", 3", 4", 6", 12", 24" Solid or w/ Knockouts

### Grade Adjustment Rings Available

- 2", 3", 4", 6"

### Hole or Knock Out Dimensions

- Maximum hole size is 84 inches
- 12 inches of minimum distance between holes
- 3 inch diameter lifting holes provided
- Cored, cast-in and custom block-out/knock-outs available

### Conformity Standards

- ASTM C478 Manhole
- ASTM C443 rubber gasket joint
- ASTM D4101 polypropylene steps and ladders
- Washington State APWA / WSDOT Standard

### Options Available

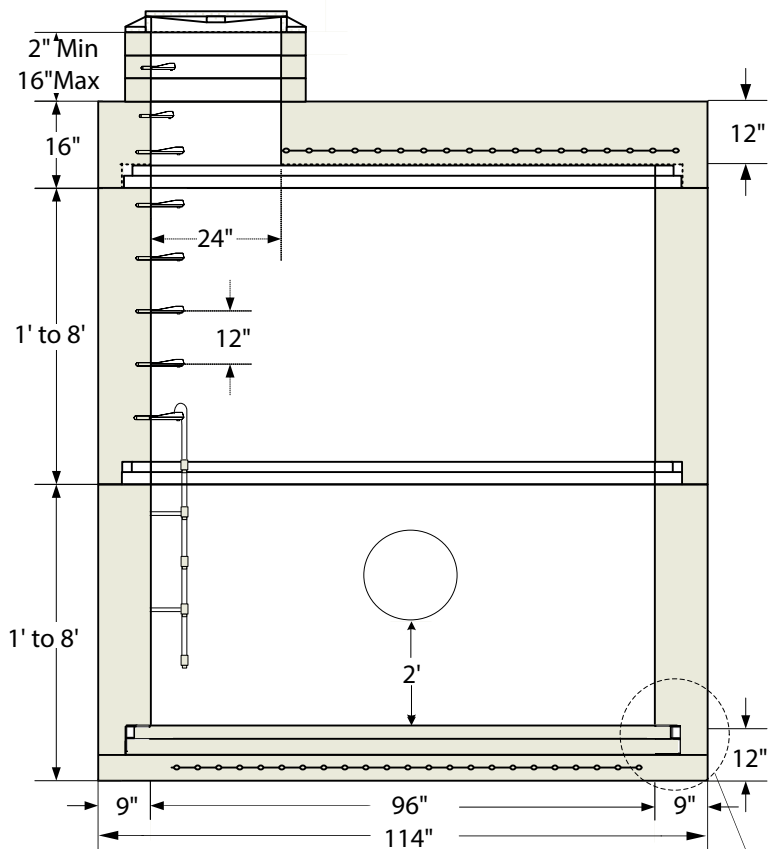
- 2 foot minimum sump
- Specialized coatings
- Custom hatches
- Kor-N-Seal boots
- 1' thru 10' Polypropylene ladders
- Round offset & center hole flat tops
- Mastic

### Section Specifications

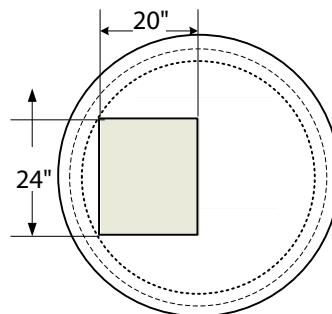
#### Height Section

12"	2,954 LBS
24"	5,973 LBS
36"	8,992 LBS
48"	12,010 LBS
60"	15,029 LBS
72"	18,048 LBS
84"	21,067 LBS
96"	24,077 LBS

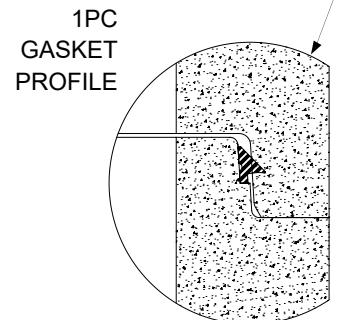
<b>Base Slab</b>	<b>Flat Top</b>
9,955 LBS	10,675 LBS



**Top Slab Plan View**



**Gasket Shown Uncompressed**



Note: Drawings not to scale

[www.shopeconcrete.com](http://www.shopeconcrete.com)

1-800-422-7560 [TOLL FREE]



Shope Concrete, LLC  
1618 East Main Avenue  
Puyallup, WA 98372-3142

(253) 848-1551  
Fax Line 1 (253) 845-0292  
Fax Line 2 (253) 864-6172

