



Manhole Products

**48" Type 3 Precast Manhole
City of Tacoma Standard**

Grade Adjustment Rings Available

- 2", 3", 4", 6" - Per SU-21

Hole or Knock Out Dimensions

- Maximum hole size is 36 inches
- 8 inches of minimum distance between holes
- 2 inch diameter lifting holes provided
- Cored, cast-in and custom block-out/knock-outs available

Conformity Standards

- ASTM C478 Manhole
- ASTM C443 rubber gasket joint
- ASTM D4101
- Steps & 1' thru 10' Polypropylene ladders - Per SU-21
- Washington State APWA / WSDOT Standard

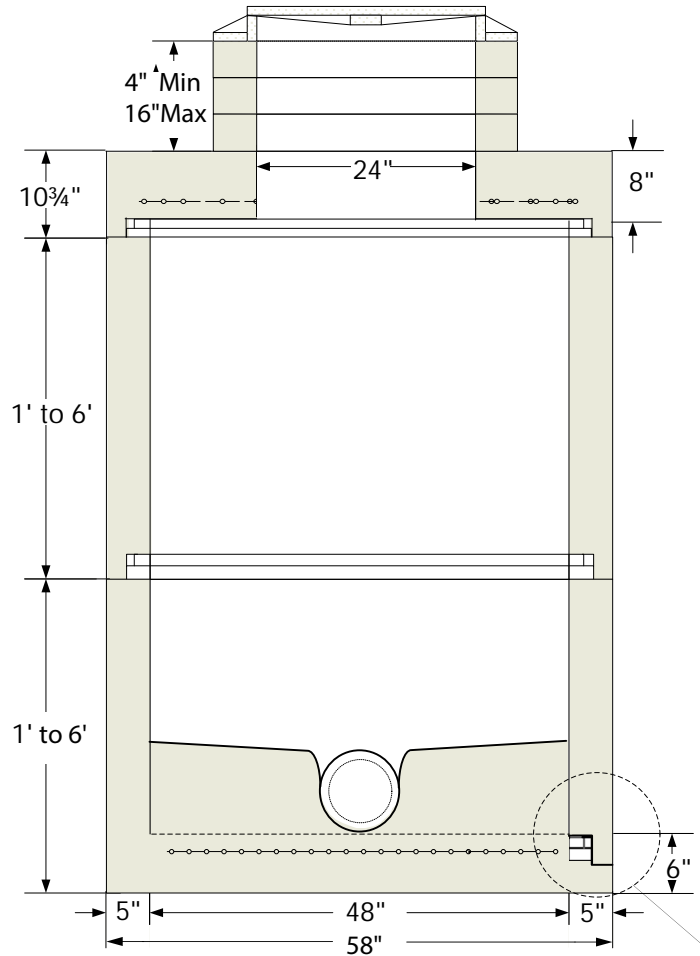
Options Available

- Pre-channelled base
- Predl Systems Monolithic GU Lined Base
- Specialized coatings
- Kor-N-Seal boots
- 1' thru 10' Polypropylene ladders
- Round offset & center hole flat tops

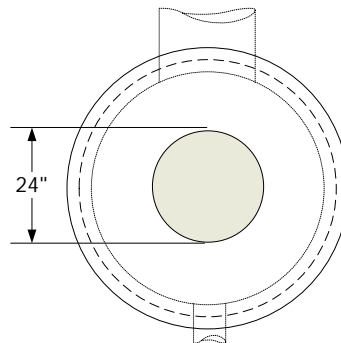
Section Specifications

| Height | Section | Base |
|--------|-----------|-----------|
| 6" | 410 LBS | - |
| 12" | 859 LBS | 1,859 LBS |
| 24" | 1,735 LBS | 2,735 LBS |
| 36" | 2,612 LBS | 3,612 LBS |
| 48" | 3,489 LBS | 4,489 LBS |
| 60" | 4,365 LBS | 5,365 LBS |
| 72" | 5,069 LBS | 6,069 LBS |

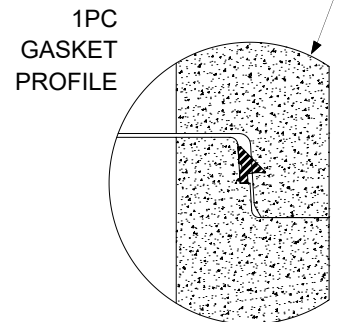
| Base Slab | Flat Top |
|-----------|-----------|
| 1,698 LBS | 1,667 LBS |



Top Slab Plan View



Gasket Shown Uncompressed



Note: drawings not to scale



Shope Concrete, LLC
1618 East Main Avenue
Puyallup, WA 98372-3142

(253) 848-1551
Fax Line 1 (253) 845-0292
Fax Line 2 (253) 864-6172

1-800-422-7560 [TOLL FREE]
www.shopeconcrete.com