



# Manhole Products

48" Type 240 A,B,C,D Precast Catch Basin  
City of Seattle Standard Plan

### Grade Adjustment Rings Available

- 2", 3", 4", 6"

### Hole or Knock Out Dimensions

- Maximum hole size is 36 inches
- 8 inches of minimum distance between holes
- 2 inch diameter lifting holes provided
- Center hole flat tops available
- Cored, cast-in and custom block-out/knock-outs available

### Conformity Standards

- ASTM C478 Manhole
- ASTM C443 rubber gasket joint
- ASTM D4101 & 232A/B polypropylene steps and ladders
- Washington State APWA / WSDOT Standard

### Options Available

- Pre-channeled base
- Specialized coatings
- Kor-N-Seal boots
- 1' thru 10' Polypropylene ladders
- Cored holes
- 2 foot 8 inches min sump
- Custom hatches

### Section Specifications

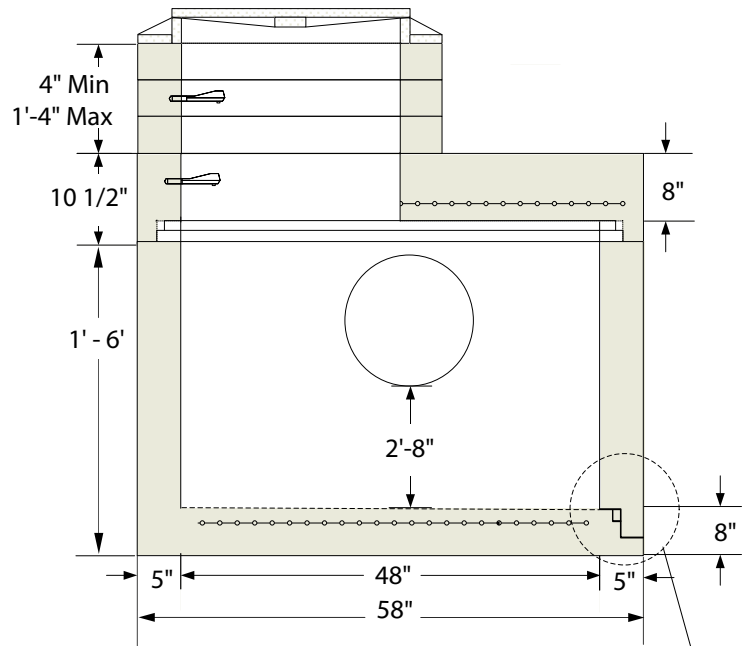
| Height | Section   | Base      |
|--------|-----------|-----------|
| 6"     | 410 LBS   | -         |
| 12"    | 859 LBS   | 1,859 LBS |
| 24"    | 1,735 LBS | 2,735 LBS |
| 36"    | 2,612 LBS | 3,612 LBS |
| 48"    | 3,489 LBS | 4,489 LBS |
| 60"    | 4,365 LBS | 5,365 LBS |
| 72"    | 5,069 LBS | 6,069 LBS |

### Base Slab

1,698 LBS

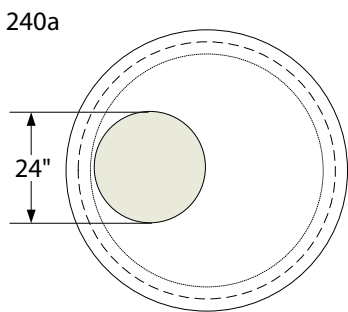
### Flat Top

1,667 LBS

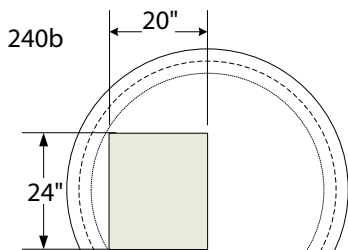


### Top Slab Plan Views

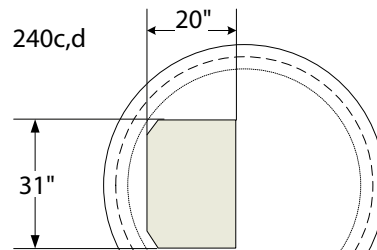
### Gasket Shown Uncompressed



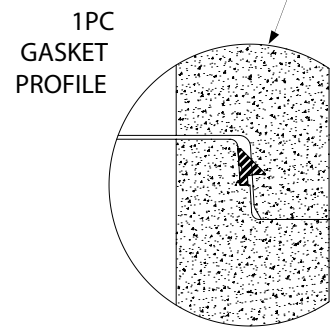
Unit R



Unit P-48



Unit T



Note: Drawings not to scale

www.shopeconcrete.com

1-800-422-7560 [TOLL FREE]



Shope Concrete, LLC  
1618 East Main Avenue  
Puyallup, WA 98372-3142

(253) 848-1551  
Fax Line 1 (253) 845-0292  
Fax Line 2 (253) 864-6172

