



Manhole Products

48" Type 204a Maintenance Hole
City of Seattle Standard Plan

Grade Adjustment Rings Available

- 2", 3", 4", 6"

Hole or Knock Out Dimensions

- Maximum hole size is 36 inches
- 8 inches of minimum distance between holes
- 2 inch diameter lifting holes provided
- Cored, cast-in and custom block-out/knock-outs available

Conformity Standards

- AST C478 Manhole
- ASTM C443 rubber gasket joint
- ASTM D4101 & 232A/B polypropylene steps and ladders
- Washington State APWA / WSDOT Standard
- All structures concrete class 4000
- ASTM A1064 | Grade 60

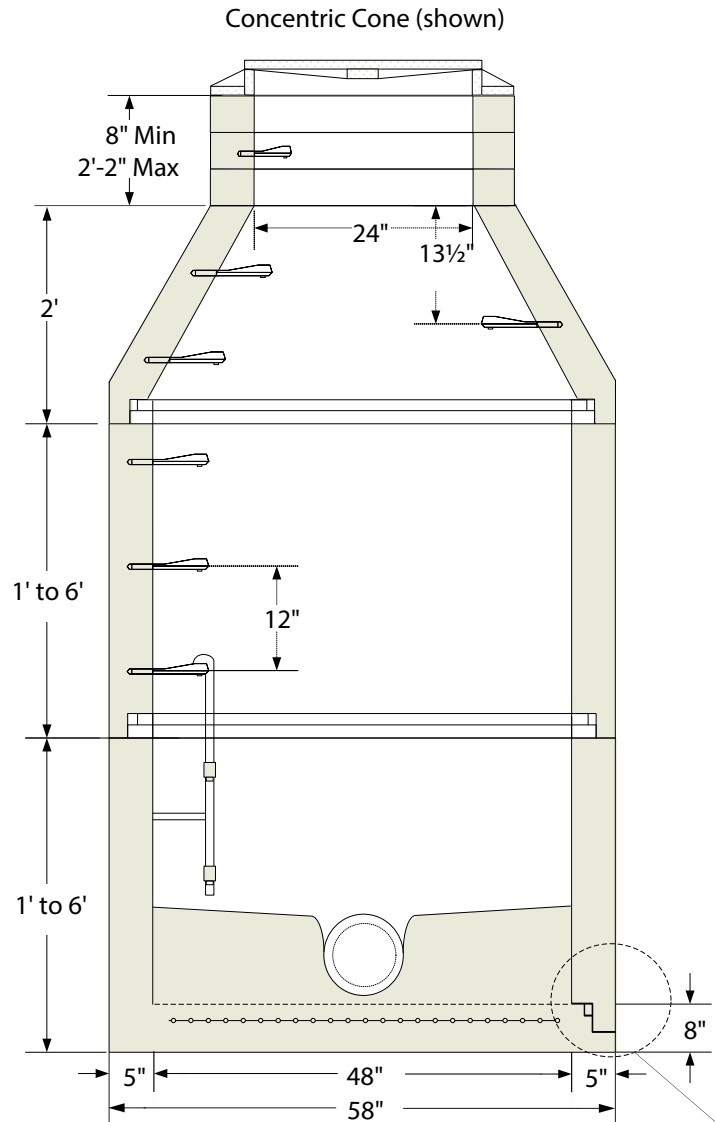
Options Available

- Pre-channeled base
- Specialized coatings
- Kor-N-Seal boots
- 1' thru 10' Polypropylene ladders
- 2' Concentric cone (shown)
- 18", 2' or 3' Eccentric cone

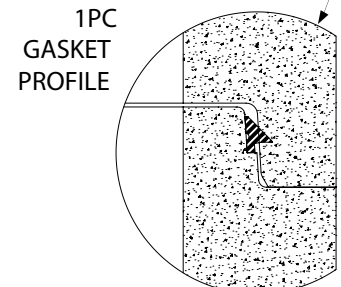
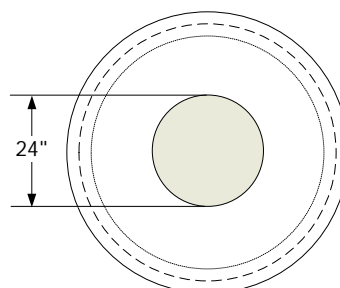
Section Specifications

Height	Section	Base
6"	410 LBS	-
12"	859 LBS	2,193 LBS
24"	1,735 LBS	3,069 LBS
36"	2,612 LBS	3,946 LBS
48"	3,489 LBS	4,823 LBS
60"	4,365 LBS	5,699 LBS
72"	5,069 LBS	6,403 LBS

Base Slab	Flat Top	Cone
1,698 LBS	1,667 LBS	1,930 LBS



Top Cone Plan View Gasket Shown Uncompressed



Note: Drawings not to scale

www.shopeconcrete.com

1-800-422-7560 [TOLL FREE]



Shope Concrete, LLC
1618 East Main Avenue
Puyallup, WA 98372-3142

(253) 848-1551
Fax Line 1 (253) 845-0292
Fax Line 2 (253) 864-6172

