



# Manhole Products

54" Type 270 Flow Control Structure  
City of Seattle Standard Plan

### Grade Adjustment Rings Available

- 2", 3", 4", 6"

### Hole or Knock Out Dimensions

- Maximum hole size is 42 inches
- 8 inches of minimum distance between holes
- 2 inch diameter lifting holes provided
- Cored, cast-in and custom block-out/knock-outs available
- KO's available for 2', 3', 4', or 5' sections

### Conformity Standards

- ASTM C478 Manhole
- ASTM C443 rubber gasket joint
- ASTM D4101 & 232A/B polypropylene steps and ladders

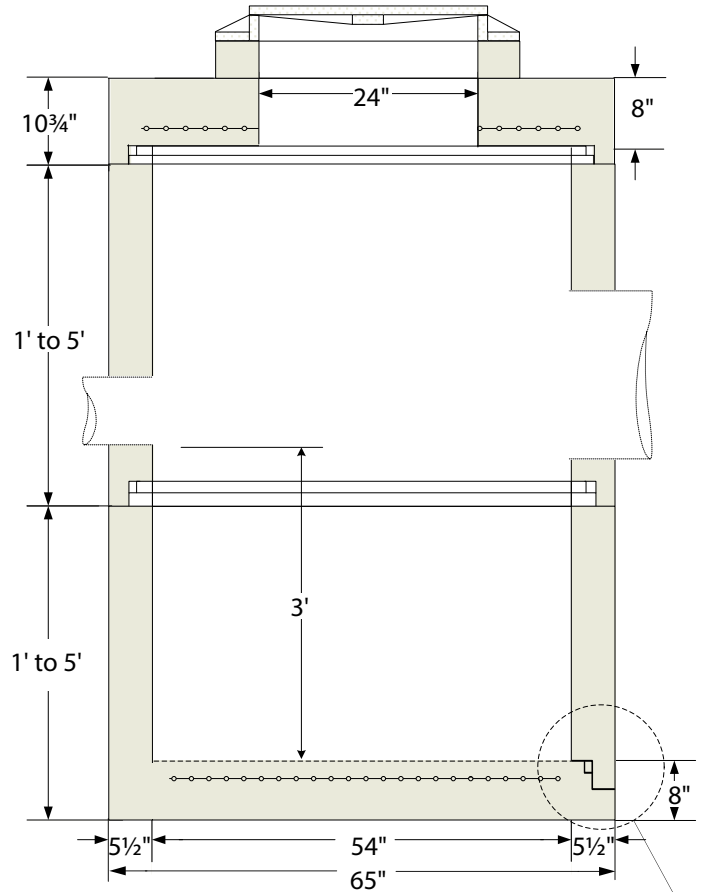
### Options Available

- 3 foot sump minimum
- Specialized coatings
- Custom hatches
- Kor-N-Seal boots
- Cored holes
- 1' thru 10' Polypropylene ladders

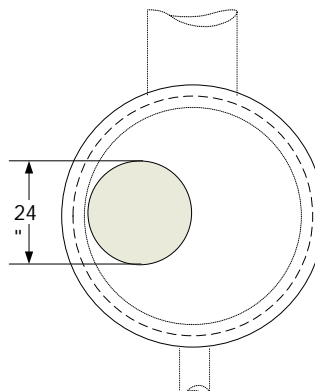
### Section Specifications

Height	Section	Base
12"	1,056 LBS	2,739 LBS
24"	2,138 LBS	3,821 LBS
36"	3,221 LBS	4,904 LBS
48"	4,305 LBS	5,988 LBS
60"	5,388 LBS	7,071 LBS
72"	6,254 LBS	7,937 LBS

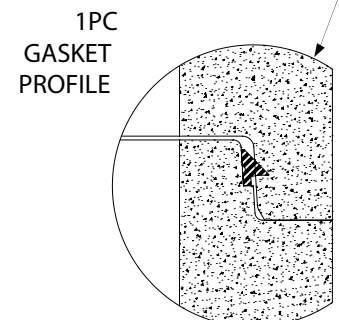
Base Slab	Flat Top
2,145 LBS	2,114 LBS



Top Slab Plan View



Gasket Shown Uncompressed



Note: Drawings not to scale

www.shopeconcrete.com

1-800-422-7560 [TOLL FREE]



Shope Concrete, LLC  
1618 East Main Avenue  
Puyallup, WA 98372-3142

(253) 848-1551  
Fax Line 1 (253) 845-0292  
Fax Line 2 (253) 864-6172

