



# Manhole Products

54" Type 204.5b Maintenance Hole  
City of Seattle Standard Plan

### Grade Adjustment Rings Available

- 2", 3", 4", 6"

### Hole or Knock Out Dimensions

- Maximum hole size is 42 inches
- 8 inches of minimum distance between holes
- 2 inch diameter lifting holes provided
- Cored, cast-in and custom block-out/knock-outs available

### Conformity Standards

- ASTM C478 manhole Manhole
- ASTM C443 rubber gasket joint
- ASTM D4101 & 232A/B polypropylene steps and ladders

### Options Available

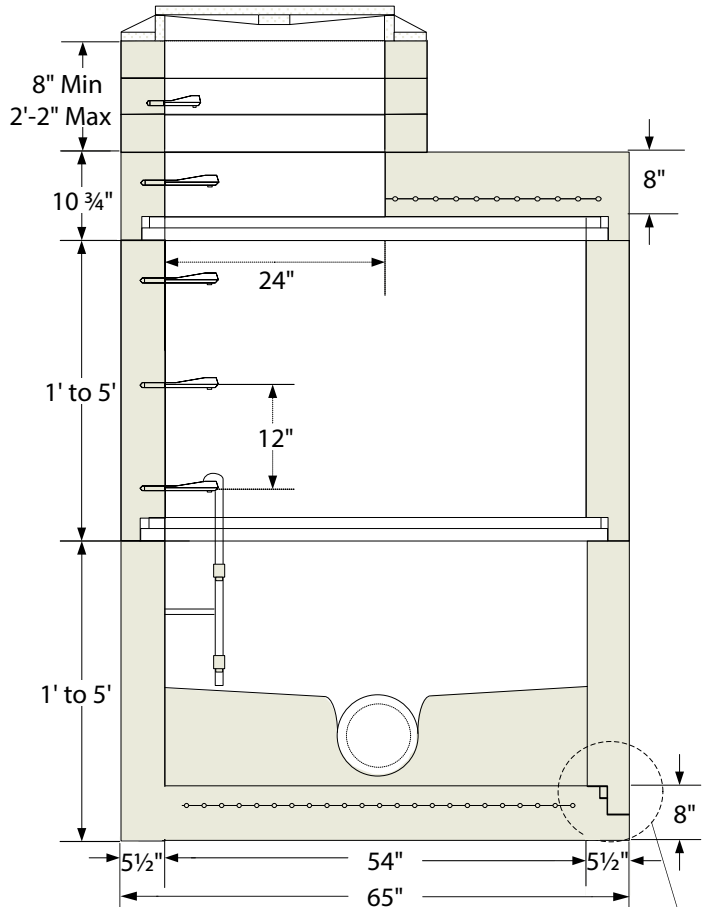
- Prechanneled base
- Specialized coatings
- Custom hatches
- Kor-N-Seal boots
- Cored holes
- 1' thru 10' Polypropylene ladders

### Section Specifications

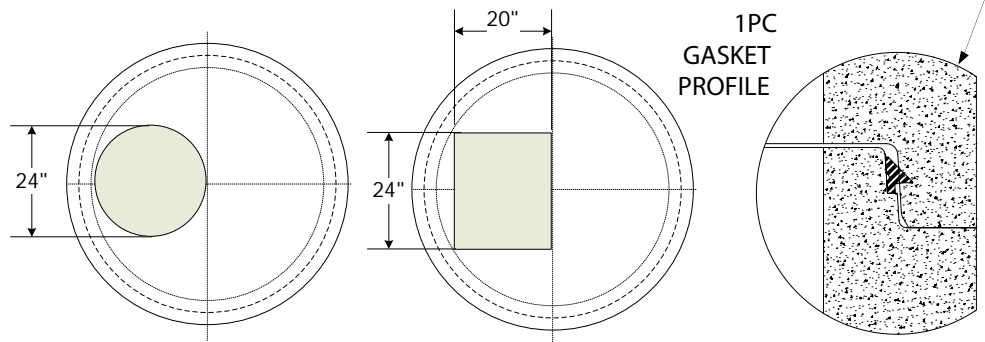
| Height Section | Base      |           |
|----------------|-----------|-----------|
| 12"            | 1,056 LBS | 2,739 LBS |
| 24"            | 2,138 LBS | 3,821 LBS |
| 36"            | 3,221 LBS | 4,904 LBS |
| 48"            | 4,305 LBS | 5,988 LBS |
| 60"            | 5,388 LBS | 7,071 LBS |
| 72"            | 6,254 LBS | 7,937 LBS |

### Base Slab      Flat Top

2,145 LBS      2,114 LBS



### Top Slab Plan View Options      Gasket Shown Uncompressed



Note: Drawings are not to scale.



Shope Concrete, LLC  
1618 East Main Avenue  
Puyallup, WA 98372-3142

(253) 848-1551  
Fax Line 1 (253) 845-0292  
Fax Line 2 (253) 864-6172

1-800-422-7560 [TOLL FREE]  
[www.shopeconcrete.com](http://www.shopeconcrete.com)