



# Manhole Products

60" Type 205b Maintenance Hole  
City of Seattle Standard Plan

### Grade Adjustment Rings Available

- 2", 3", 4", 6"

### Hole or Knock Out Dimensions

- Maximum hole size is 48 inches
- 8 inches of minimum distance between holes
- 2 inch diameter lifting holes provided
- Cored, cast-in and custom block-out/knock-outs available

### Conformity Standards

- ASTM C478 Manhole
- ASTM C443 rubber gasket joint
- ASTM D4101 & 232A/B polypropylene steps and ladders

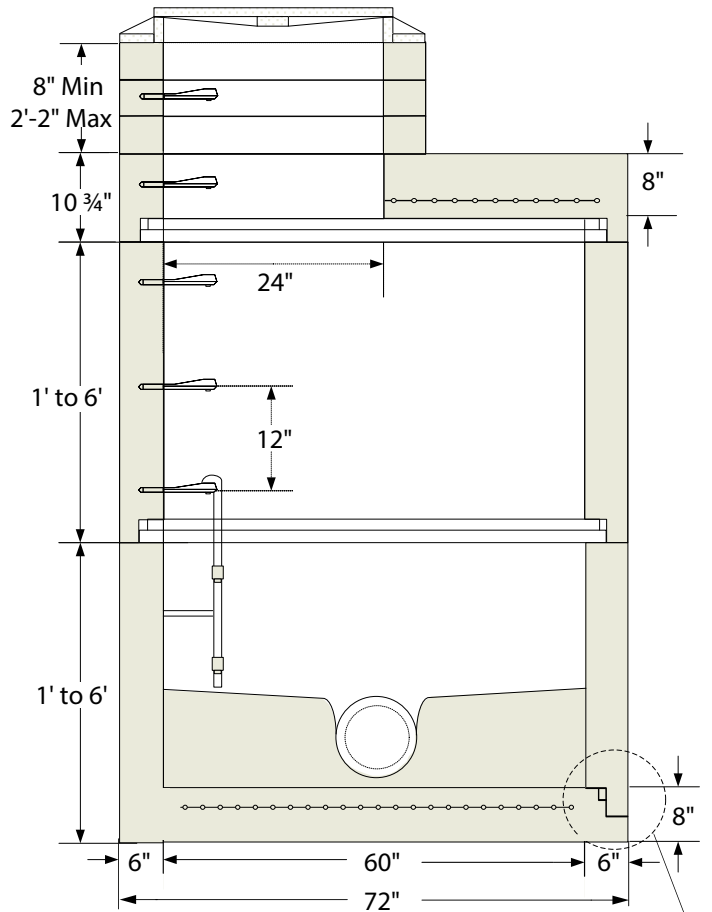
### Options Available

- Round offset & center hole flat tops
- Pre-channeled base
- Specialized coatings
- Kor-N-Seal boots
- Cored holes
- 1' thru 10' Polypropylene ladders

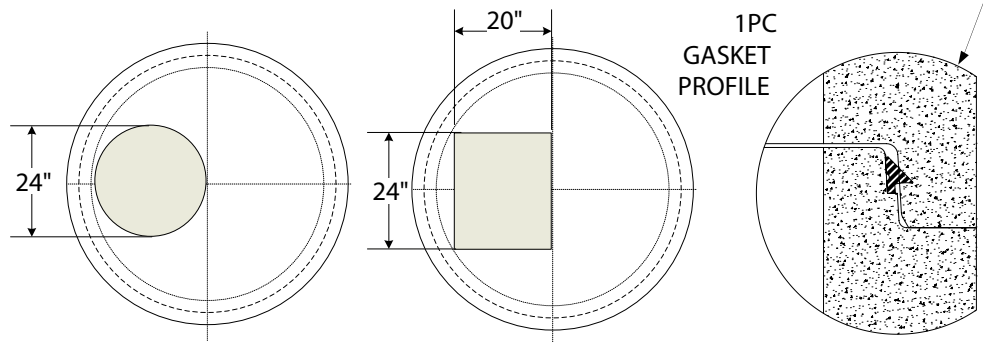
### Section Specifications

Height	Section	Base
12"	1,056 LBS	2,739 LBS
24"	2,138 LBS	3,821 LBS
36"	3,221 LBS	4,904 LBS
48"	4,305 LBS	5,988 LBS
60"	5,388 LBS	7,071 LBS
72"	6,254 LBS	7,937 LBS

Base Slab	Flat Top
2,145 LBS	2,114 LBS



### Top Slab Plan View Options Gasket Shown Uncompressed



Note: Drawings are not to scale.



Shope Concrete, LLC  
1618 East Main Avenue  
Puyallup, WA 98372-3142

(253) 848-1551  
Fax Line 1 (253) 845-0292  
Fax Line 2 (253) 864-6172

1-800-422-7560 [TOLL FREE]  
[www.shopeconcrete.com](http://www.shopeconcrete.com)