



Manhole Products

**84" Type 207a Maintenance Hole
City of Seattle Standard Plan**

Grade Adjustment Rings Available

- 2", 3", 4", 6"

Hole or Knock Out Dimensions

- Maximum hole size is 72 inches
- 12 inches of minimum distance between holes
- 3 inch diameter lifting holes provided
- Cored, cast-in and custom block-out/knock-outs available

Conformity Standards

- ASTM C478 Manhole
- ASTM C443 rubber gasket joint
- ASTM D4101 & 232A/B polypropylene steps and ladders

Options Available

- Offset flat-top square access opening
- Specialized coatings
- Kor-N-Seal boots
- Cored holes
- 1' thru 10' Polypropylene ladders

Section Specifications

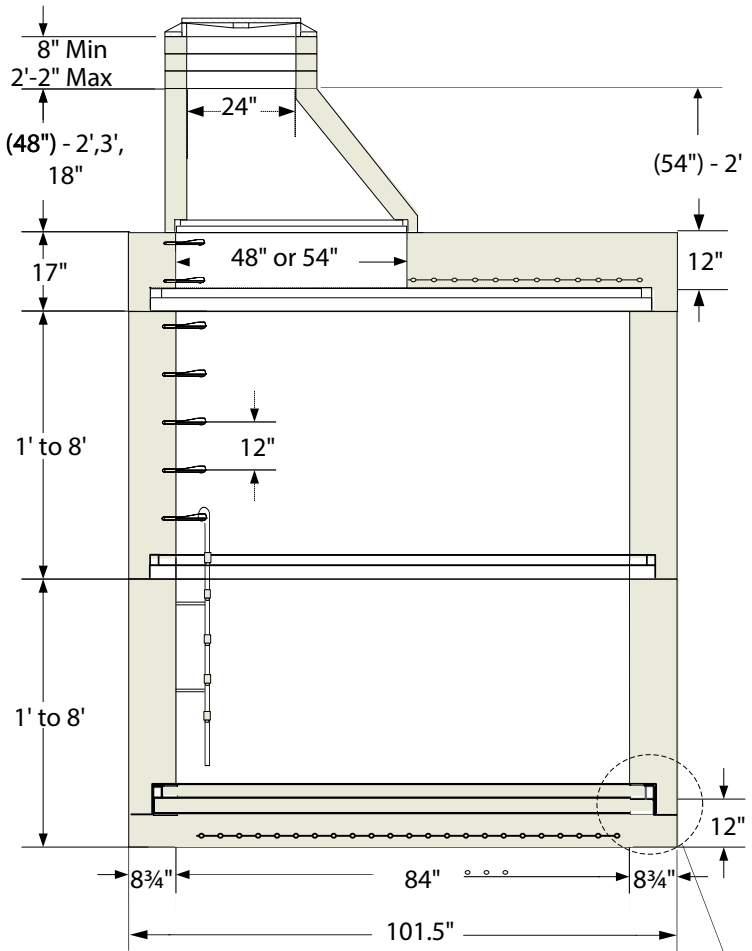
Height	Section	Base Slab
12"	2,534 LBS	7,846 LBS
24"	5,125 LBS	
36"	7,716 LBS	
48"	10,308 LBS	Flat Top
60"	12,899 LBS	8,397 LBS
72"	15,490 LBS	
84"	18,081 LBS	
96"	20,665 LBS	

Cone 48"

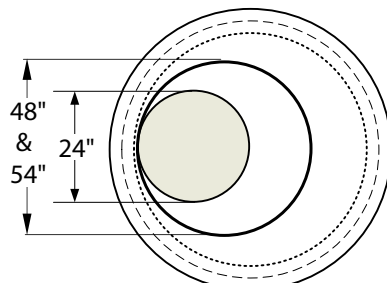
- 18" - 1,619 LBS
- 2' - 1,930 LBS
- 3' - 2,560 LBS

Cone 54"

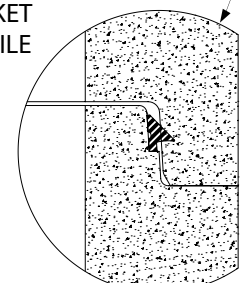
-
- 2,184 LBS
-



Top Cone Plan View Gasket Shown Uncompressed



1PC
GASKET
PROFILE



Note: Drawings not to scale

www.shopeconcrete.com

1-800-422-7560 [TOLL FREE]



Shope Concrete, LLC
1618 East Main Avenue
Puyallup, WA 98372-3142

(253) 848-1551
Fax Line 1 (253) 845-0292
Fax Line 2 (253) 864-6172

