



Catch Basins

**Type 1 Curb Inlet Top
Fits Type 1 & Type 1L**

Inlet Top Reinforcing

- ASTM / WSDOT requirements
- All components
- #4 grade 60 reinforcing

Inlet Top Conformity Standards

- Washington State APWA / WSDOT Standard specifications
- WSDOT B-5.20.-01
- Designed for a Type I, 1-L, or 1-P

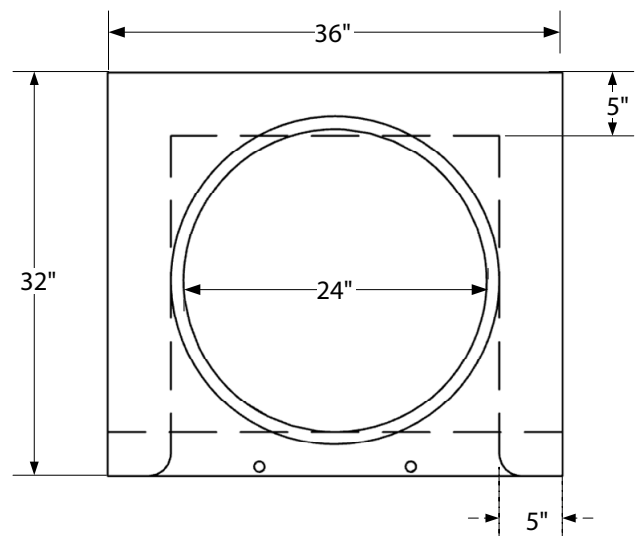
Inlet Top Components Available

- 24" Cast Iron Locking Frame & Cover
- w/ 2 1/2" x 3 1/2" x 1/4" x 35 7/8" Galvanized angle iron
- 2 ea. #4 Trash Bars at 9" OC
- 2" lift holes

Weight

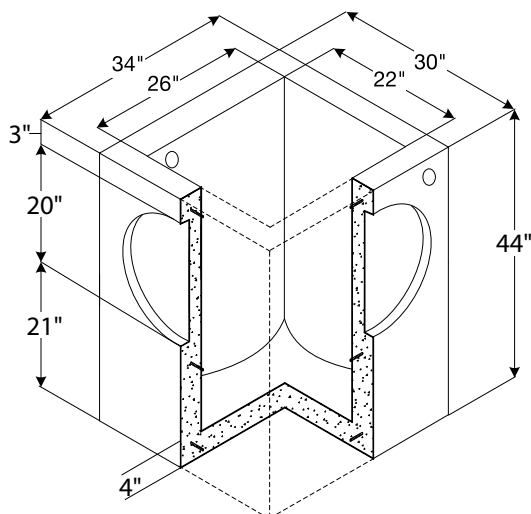
- 550 lbs w/casting

Plan View

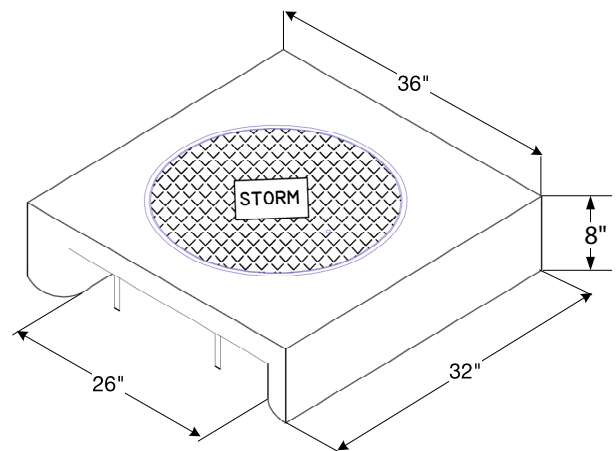


Type I Catch Basin

[please see pg. 75, Type I Catch Basin for more details]



Side View



Note: Drawings not to scale

www.shopeconcrete.com

1-800-422-7560 [TOLL FREE]



Shope Concrete, LLC
1618 East Main Avenue
Puyallup, WA 98372-3142

(253) 848-1551
Fax Line 1 (253) 845-0292
Fax Line 2 (253) 864-6172

