



Catch Basins

Type 1-L Curb Inlet Top

Inlet Top Reinforcing

- ASTM / WSDOT requirements
- All components
- #4 grade 60 reinforcing

Inlet Top Conformity Standards

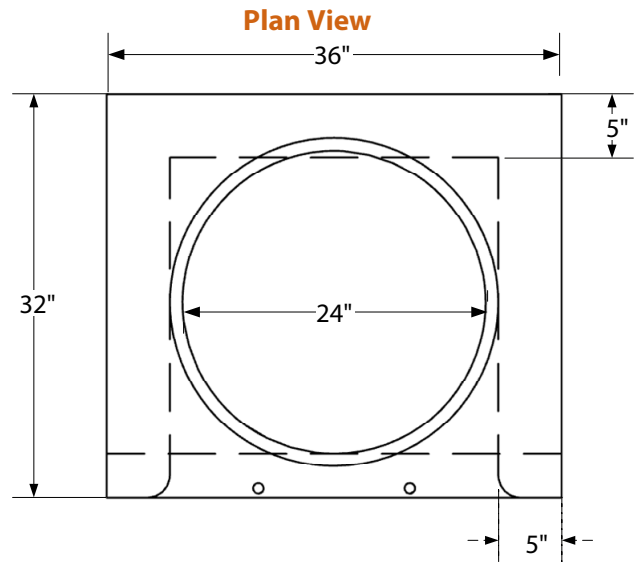
- Washington State APWA / WSDOT Standard Specifications
- WSDOT B-5.20.-01
- Designed for a Type I, 1-L, or 1-P

Inlet Top Components

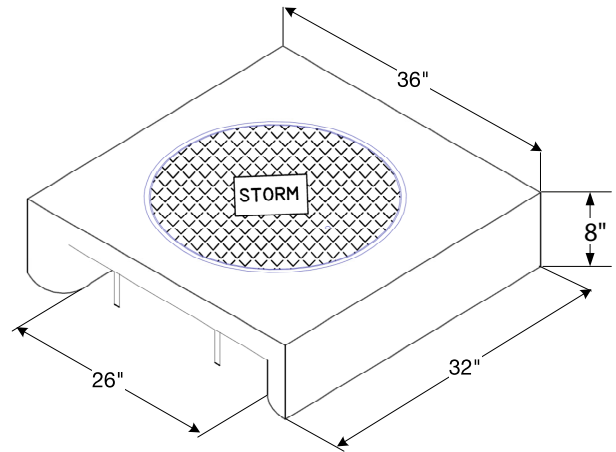
- 24" Cast Iron Locking Frame & Cover
- w/ 2 1/2" x 3 1/2" x 1/4" x 35 7/8" Galvanized angle iron
- 2 ea. #4 Trash Bars at 9" OC
- 2" lift holes

Weight

- 550 lbs w/casting

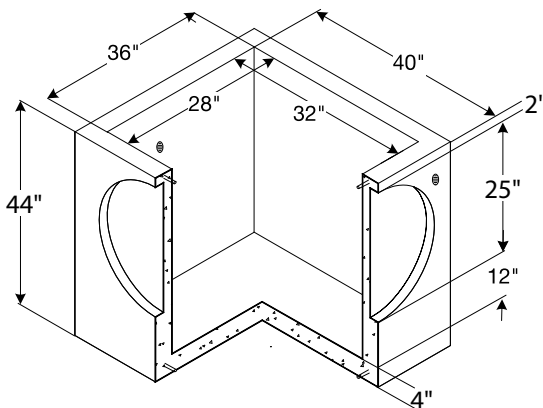


Side View



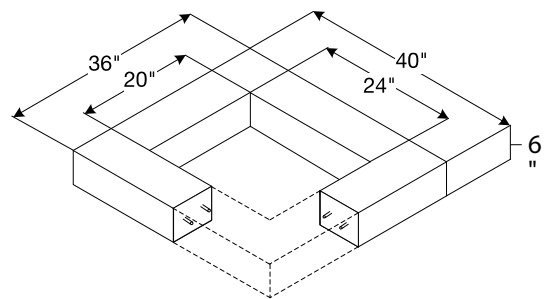
Type I-L Catch Basin

[please see pg. 76, Type I-L for more details]



Type I-L Reducing Slab

[please see pg. 76, Type I-L for more details]



Note: Drawings are not to scale.



Shope Concrete, LLC
1618 East Main Avenue
Puyallup, WA 98372-3142

(253) 848-1551
Fax Line 1 (253) 845-0292
Fax Line 2 (253) 864-6172

1-800-422-7560 [TOLL FREE]
www.shopeconcrete.com