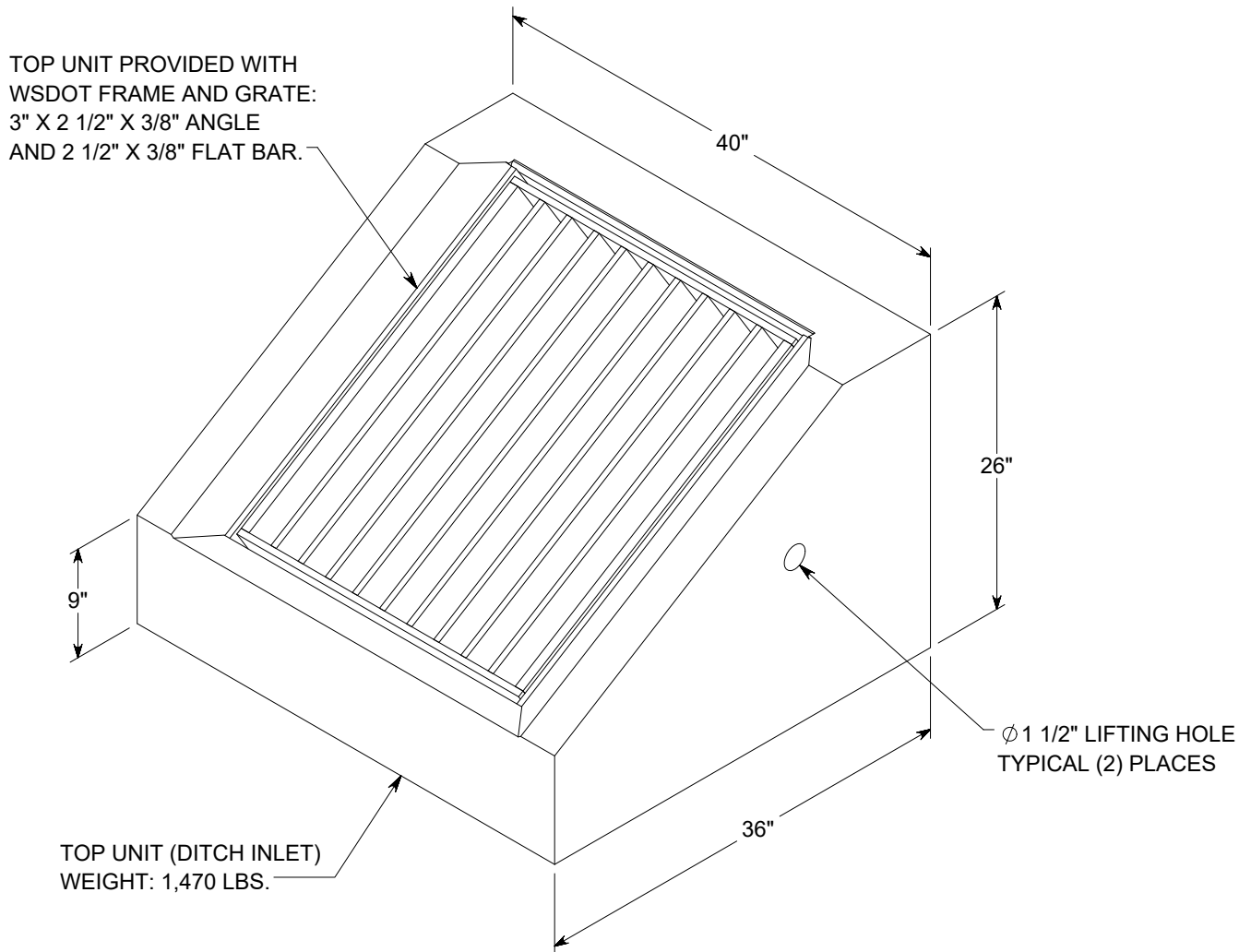




Catch Basins

**TYPE 1 – Optional Ditch Inlet Top
Fits Type 1 & Type 1L**



Note: Drawings are not to scale. This is not a specialized "Shop Drawing." Designed for submittal purposes only.



Shope Concrete, LLC
1618 East Main Avenue
Puyallup, WA 98372-3142

(253) 848-1551
Fax Line 1 (253) 845-0292
Fax Line 2 (253) 864-6172

1-800-422-7560 [TOLL FREE]
www.shopeconcrete.com