



Catch Basin Products

Catch Basin Type 242 Seattle Standard Plan

Reinforcing

- Reinforcing meets ASTM Standard Specifications Including ASTM A615, ASTM C478
- #4 grade 60 reinforcing bar (American Made per (SP 1-06.1(3)))
- Circumference reinforcing is 0.12 sq. inch/linear foot

Precast Base

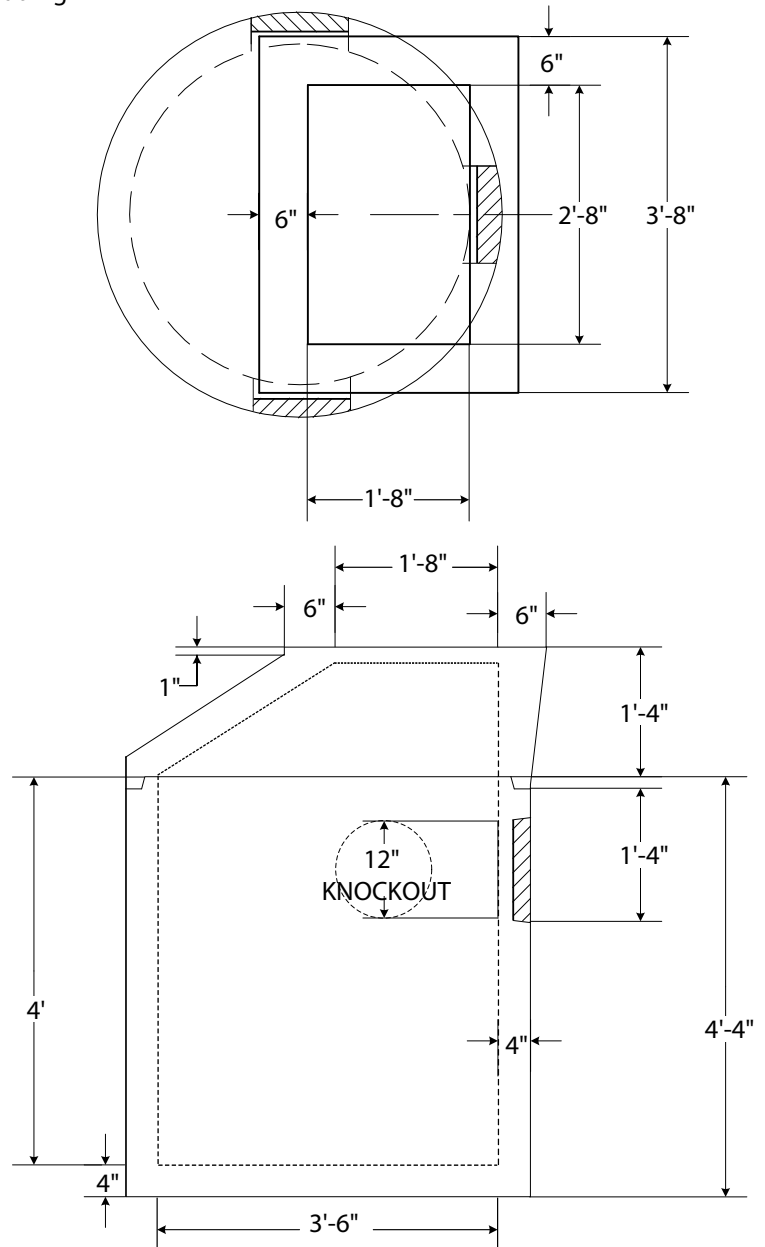
- Weight: 3800 lbs
- Three(3) 12" Knockouts provided at 90 degrees

Top Cone

- Weight: 1050 lbs
- 1½ inch hole for handling

Concrete Class

- Class 4000



Note: drawings not to scale



Shope Concrete, LLC
1618 East Main Avenue
Puyallup, WA 98372-3142

(253) 848-1551
Fax Line 1 (253) 845-0292
Fax Line 2 (253) 864-6172

1-800-422-7560 [TOLL FREE]

www.shopeconcrete.com