



Catch Basin Products

Type 252 Inlet Seattle Standard Plan

Frame & Grate

- Use STD PLAN 264

Risers

- Use Type 1 Risers WSDOT Plan

Reinforcing

- ASTM A-615
- All components
- #3 grade 60 reinforcing bar

Precast Base

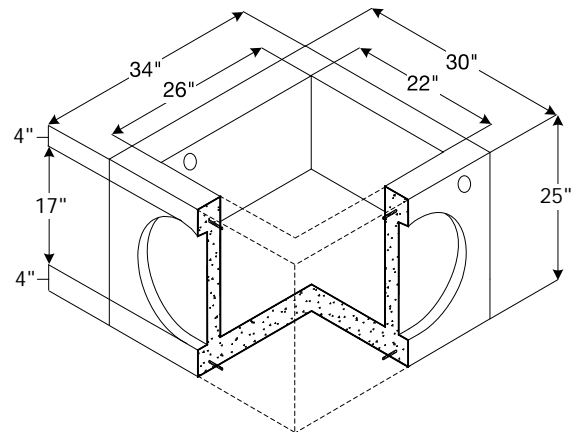
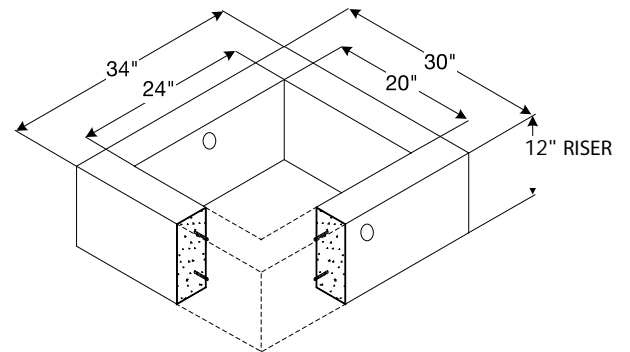
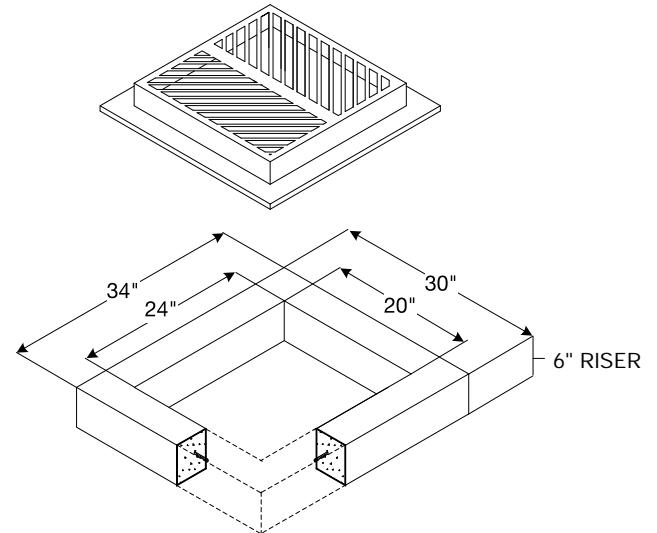
- Base unit has four-way knock outs provided for pipe entry
- 1100 lbs
- 1½ inch hole on each side for handling

Conformity Standards

- Meets Seattle Standard Plan
- Meets STD SPEC Section 7-05

Additional Details

- Bottom to be grouted by installer [contractor] after installation
- All items meet or exceed 4000 psi
- All materials conform to STD SPEC Section 9-12



Note: drawings not to scale



Shope Concrete, LLC
1618 East Main Avenue
Puyallup, WA 98372-3142

(253) 848-1551
Fax Line 1 (253) 845-0292
Fax Line 2 (253) 864-6172

1-800-422-7560 [TOLL FREE]

www.shopeconcrete.com