



# Inlet Basin Products

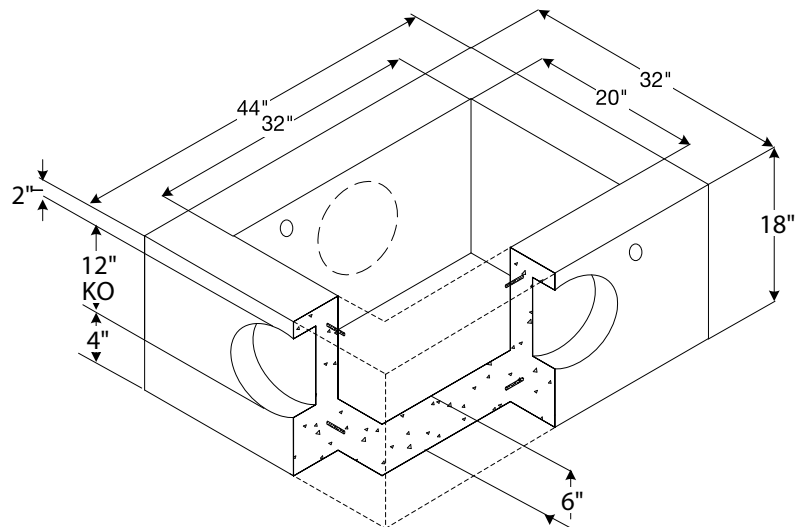
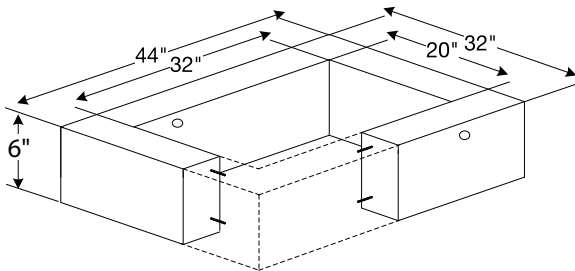
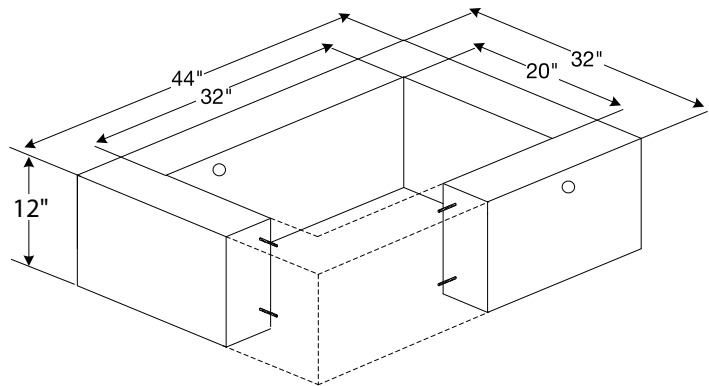
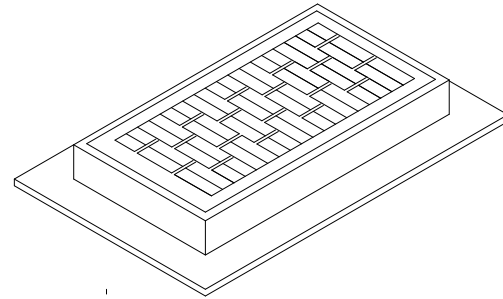
## Inlet Basin Type 250 Seattle Standard Plan

### Reinforcing

- ASTM A-615
- #3 grade 60 reinforcing bar

### Precast Base

- Three-way knockouts provide for pipe entry
- Weight: 1400 lbs
- 1½ inch hole on each side for handling
- 6-inch and 12-inch risers available



Note: Drawings not to scale

[www.shopeconcrete.com](http://www.shopeconcrete.com)

1-800-422-7560 [TOLL FREE]



Shope Concrete, LLC  
1618 East Main Avenue  
Puyallup, WA 98372-3142

(253) 848-1551  
Fax Line 1 (253) 845-0292  
Fax Line 2 (253) 864-6172

