



# Catch Basin Products

## Grate Inlet Type 2 WSDOT B-35.40

### Reinforcing

- ASTM A-615
- All components
- #3 grade 60 reinforcing bar

### H Top Grate & Angles

- WSDOT (B-4b), (B-4d)
- Cast Iron frame with vaned grates
- Galvanized steel angles and grate
- 1360 lbs

### 6 Inch Riser

- 430 lbs

### 12 Inch Riser

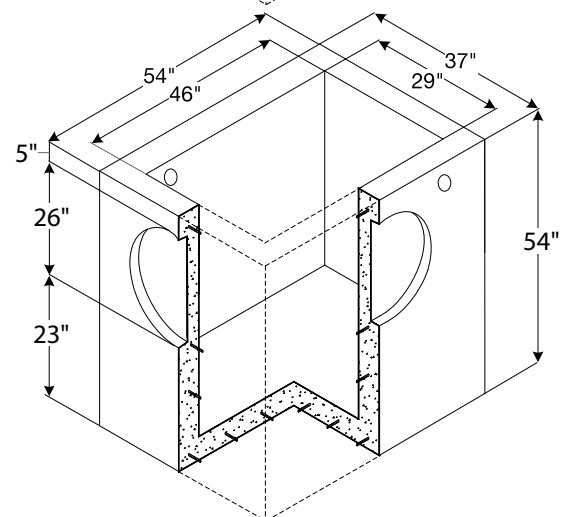
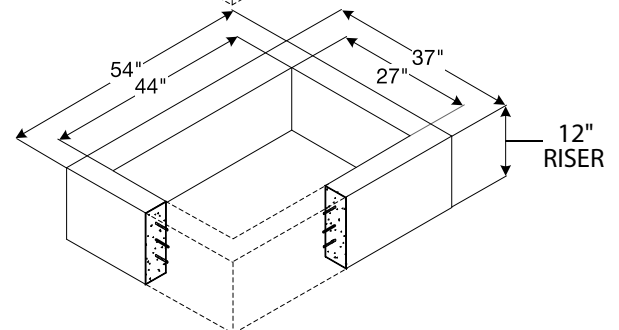
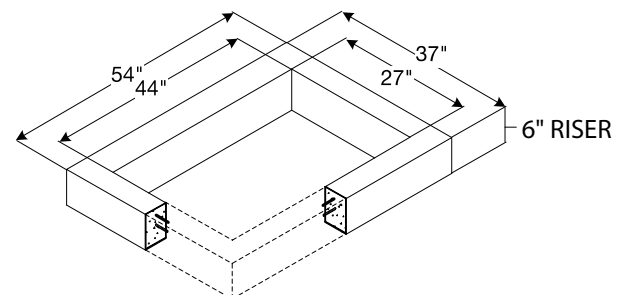
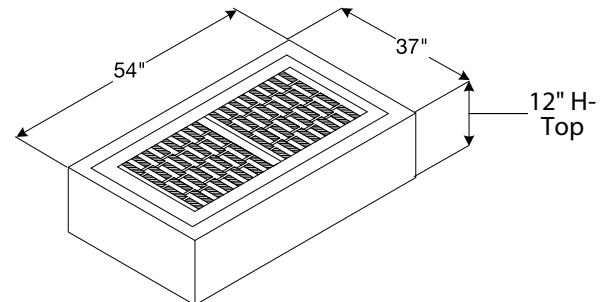
- 860 lbs

### Precast Base

- Base unit has four-way knock outs provided for pipe entry
- 3860 lbs
- 1½ inch hole on each side for handling

### Conformity Standards

- Washington State APWA / WSDOT Standard Specifications
- WSDOT **B-35.40**
- Catch Basin meets ASTM C478
- H20 loading standard



Note: Drawings not to scale

[www.shopeconcrete.com](http://www.shopeconcrete.com)

1-800-422-7560 [TOLL FREE]



Shope Concrete, LLC  
1618 East Main Avenue  
Puyallup, WA 98372-3142

(253) 848-1551  
Fax Line 1 (253) 845-0292  
Fax Line 2 (253) 864-6172

