



Catch Basin Products

Grate Inlet Type II Top Modified w/Integrated 7775 Frame & Grate Assembly

Reinforcing

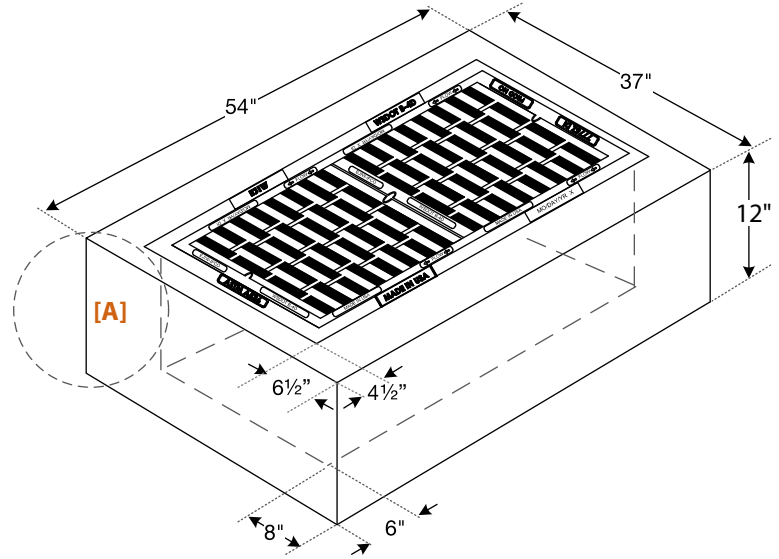
- ASTM A-615
- All components #3 grade 60 reinforcing bar
- Qty. 3 Hoops / Length ea. 14' - 2"

Frame & Grate Assembly

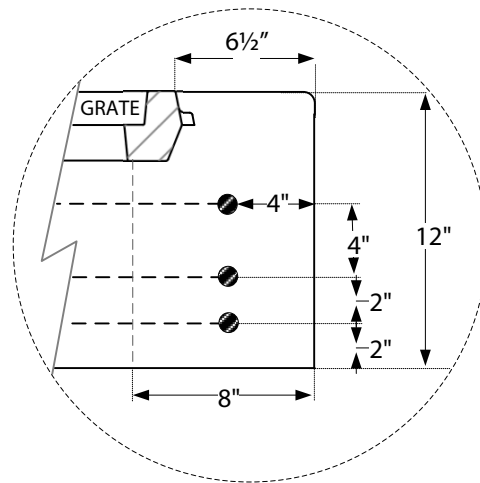
- ASTM A-48, AASHTO M105, M306
- Manufactured by EJ [www.ejco.com] Mod. 7775 Product No. 00777502
- Frame: Ductile Iron
Grate: Ductile Iron
- Country of Origin: U.S.A.

Additional Notes

- All exposed concrete edges shall be finished with a 1/2" radius [as shown in detail [A]]
- All pickup holes shall be grouted full after installation.



SECTION / REINFORCEMENT DETAIL [A]



Note: Drawings not to scale

www.shopeconcrete.com

1-800-422-7560 [TOLL FREE]



Shope Concrete, LLC
1618 East Main Avenue
Puyallup, WA 98372-3142

(253) 848-1551
Fax Line 1 (253) 845-0292
Fax Line 2 (253) 864-6172

