



Area Drains

Catch Basin Type 9

Reinforcing

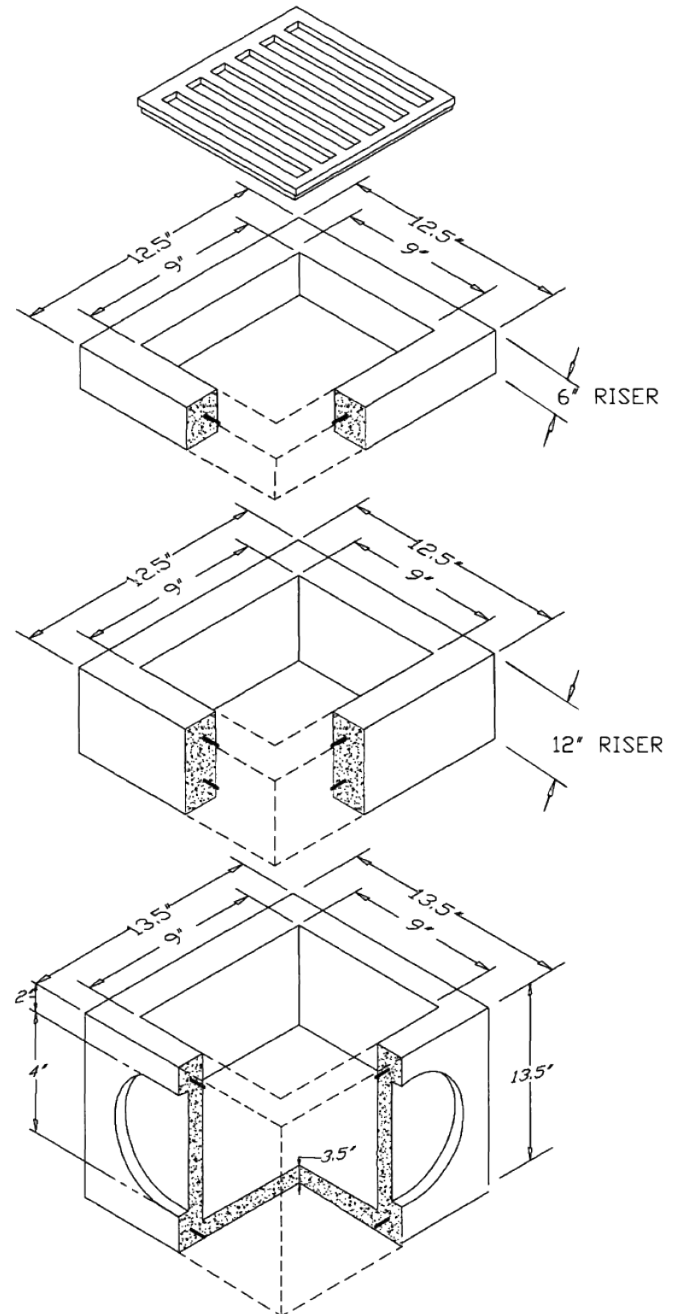
- Non traffic rated

Cast Iron Grate

- The 14" x 20" cast iron grate drops in the recessed area at the top of the basin or riser
- An 14" x 20" frame & grate is available

Additional Information

- The base unit has a 12" diameter knock-out on each of the four sides
- Base unit - 1000 lbs
- 6 inch Riser - 150 lbs
- 12 inch Riser - 300 lbs
- 1½ inch hole on each side for handling



Note: drawings not to scale



Shope Concrete, LLC
1618 East Main Avenue
Puyallup, WA 98372-3142

(253) 848-1551
Fax Line 1 (253) 845-0292
Fax Line 2 (253) 864-6172

1-800-422-7560 [TOLL FREE]

www.shopeconcrete.com