



Area Drains

Catch Basin Type 50

Item Detail

- Not a traffic bearing area drain

Concrete Lid

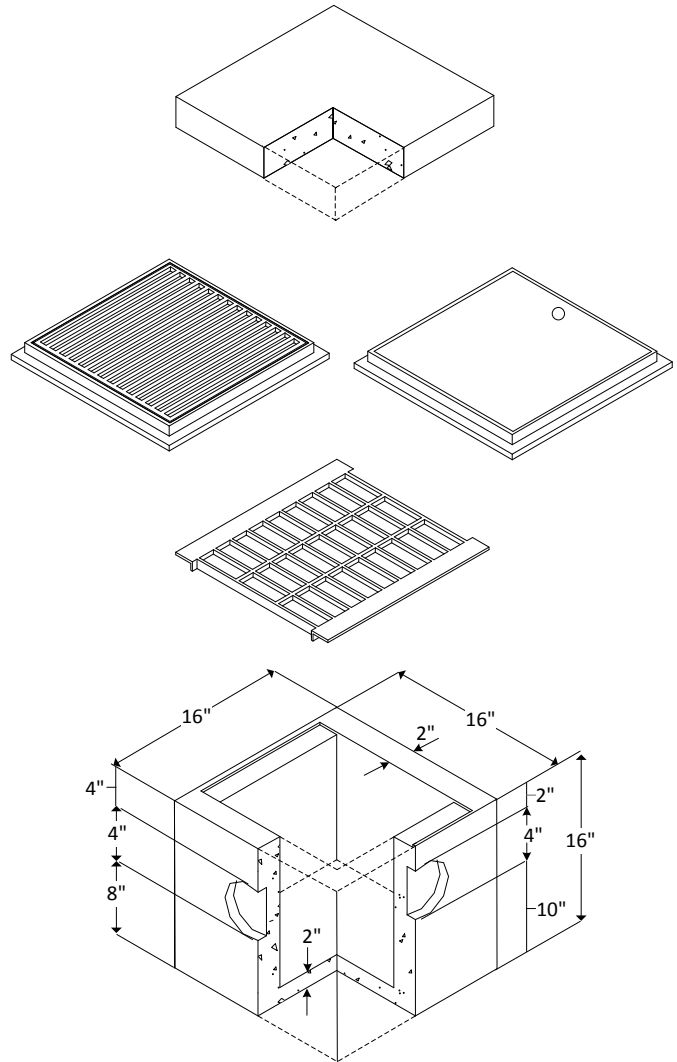
- A concrete lid can be used to convert the basin into a junction box

Cast Iron Grate

- The 11" x 14" cast iron grate drops in the recessed area at the top of the basin
- We also offer a 12" x 12" frame & grate

Additional Information

- Not reinforced
- Base unit has five inch (5") poly cut-outs for pipe on each of the four sides



Note: Drawings not to scale

www.shopeconcrete.com

1-800-422-7560 [TOLL FREE]



Shope Concrete, LLC
1618 East Main Avenue
Puyallup, WA 98372-3142

(253) 848-1551
Fax Line 1 (253) 845-0292
Fax Line 2 (253) 864-6172

